



## Elena (#140) with Pedestal Option

66" x 31.75" x 20.5"

### GENERAL SPECIFICATIONS:

**Material** - SculptureStone®

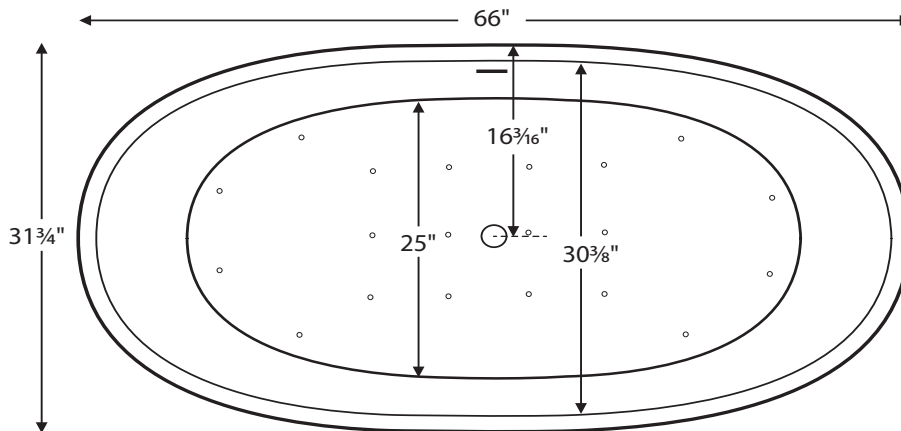
**Installation** - Freestanding - May undermount with Flat Rim Only. Must specify undermount on order. Not recommended as shower / tub combination.

**Soaker Weight** - 212 lbs / 96 kg

**Air Bath Weight** - 242 lbs / 110 kg

**Maximum Fill** - 95 gal to overflow

**NOTE:** Filling this tub to the maximum may require an above average size or dedicated water heater.

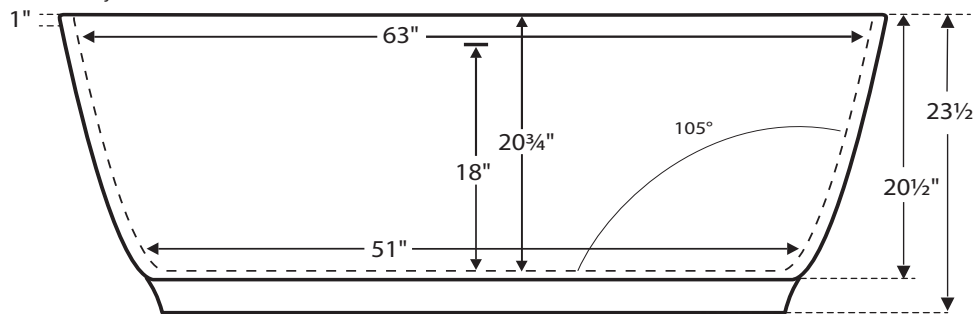


Optional Flat Rim reduces height by 1"

Shown above as an Air Bath.

Note: Elena #140 is available with a rolled or flat rim, and with or without a pedestal. Tub height will vary based upon features selected.

Part numbers for any combination of these features are listed on the following page.



### ELECTRICAL SPECIFICATIONS

Required Electrical Service - 110 Volt

Air Bath - 1-15 amp GFCI



CSA Certified C/US; ANSI Z124.1

### IMPORTANT ORDERING & INSTALLATION INFORMATION:

- Optional pedestal base increases overall height of the tub by 3"; flat rim feature reduces height by 1".
- Includes an integrated slotted overflow, requiring onsite installation of provided toe tap drain kit. May also be specified without an overflow (see local codes).
- Also available, Elena #220, with integrated overflow and pedestal.
- Air baths require job site preparations for remote mounting the blower and required check valve. Check valve must be installed higher than the rim of the tub. The keypad is shipped loose and may be mounted on a nearby wall or decking. A waterproof remote control is also included. Please read installation manual prior to ordering.
- Tub is pre-drilled with an overflow, but can be specified without (see local codes).
- Requires use of a wall-mounted or freestanding tub filler.
- Measurements are + 1/2" and are subject to change without notice.
- Options and accessories are packaged inside the tub crate for delivery.
- Data herein supersedes all prior to publication date shown below.

See the "Boutique Collection Tubs Installation & Operation Manual" included with tub delivery or go to: [mtibaths.com/support/installation](http://mtibaths.com/support/installation) for all the information necessary to install and operate the tub. MTI's Customer Service Department is available Monday-Friday 8am-6pm EST at 800-783-8827 or [service@mtibaths.com](mailto:service@mtibaths.com) to answer any questions pertaining to ordering or installation.



Hydrotherapy Packages	Package Contents	Part #	MSRP
 <b>Soaker</b>	Soaking bath - no jets. Includes an integrated slotted overflow with a toe-tap drain kit in chrome finish. Notes: Optional exterior gloss color is not available on the Rolled Rim version of this tub model. See "Important Ordering & Installation Information" on previous page. Please see installation manual for important drain installation details.	<b>S140AR</b> (Rolled Rim - No Pedestal)	<b>\$7,485</b>
		<b>S140AF</b> (Flat Rim - No Pedestal)	<b>\$7,485</b>
		<b>S140BR</b> (Rolled Rim - Pedestal)	<b>\$8,105</b>
		<b>S140BF</b> (Flat Rim - Pedestal)	<b>\$8,105</b>
 <b>Air Bath</b>	20 air jets, heated air blower, keypad, waterproof remote control. Includes an integrated slotted overflow with a toe-tap drain kit in chrome finish. Notes: Overall tub height is 22.5"-23.5" when ordered as an air bath. Optional exterior gloss color is not available on the Rolled Rim version of this tub model. See "Important Ordering & Installation Information" on previous page. Blower & required check valve must be remote mounted. Check valve must be installed higher than the rim of the tub. Please see installation manual for important drain installation details.	<b>AST140BR</b> (Rolled Rim - Pedestal)	<b>\$12,255</b>
		<b>AST140BF</b> (Flat Rim - Pedestal)	<b>\$12,255</b>

**Lead Time - Soakers and Air Bath Packages 10 business days**

Color and Finish Options
NOTE: part codes for all options listed in parenthesis.
<b>Standard Color - White, matte finish</b> <b>Biscuit Color Upgrade, matte finish - (SSBI) \$260</b> Additional material colors available for projects only. Please call MTI.
<b>Optional Hand-Polished Deep Gloss Finish Upcharge - For White or Biscuit (SSGLOSS) \$645</b>
<b>Exterior Color in Gloss for Flat Rim only - (SSCOLTG) \$1,500</b> Must specify color code: Blue Lagoon (BL),Terracotta (TC), Onyx (OX), Nightfall (NF), Stormgray (SG), Moonstone (MS) See the colors at: mtibaths.com/about-products/tub-options/colors/
Optional Hardware
<b>Toe-Tap Drain Kit Finishes</b> PVC drain - Chrome (included with tub) White upcharge* (WIOW) <b>+\$30</b> Brushed Nickel upcharge* (WIOBN) <b>+\$30</b> Polished Nickel upcharge* (WIOPN) <b>+\$30</b> Matte Black upcharge* (WIOMB) <b>+\$30</b> Oil-Rubbed Bronze upcharge* (WIOOR) <b>+\$100</b> Special Finish upcharge* (WIOSF) <b>+\$375</b> Brass Tailpiece (WIOBS) <b>\$35</b> - In addition to finish charge listed above.
<b>Floor-Mounted High-Flow Tub Filler - two designs available</b> Contemporary Chrome (FILLC) <b>\$2,055</b> Brushed Nickel (FILLBN) <b>\$2,220</b> Traditional Chrome (FILLTC) <b>\$2,055</b> Brushed Nickel (FILLTBN) <b>\$2,220</b>
<b>Faucet Stands - Available in two styles and &amp; multiple sizes</b> <b>Standard Faucet Stand, Matte Finish</b> Small / 21.75" x 14.25" / 3-hole capacity - (STAND) <b>\$945</b> Large / 21.75" x 22" / 5-hole capacity - (STANDL) <b>\$1,060</b> Gloss Finish Upcharge (SSGLOSSSNK) <b>\$205</b> <b>Premium Faucet Stand</b> 39" h x 15" w - Matte - (SSFSR3915MT) <b>\$1,770</b> Gloss - (SSFSR3915GL) <b>\$2,085</b> 39" h x 10" w - Matte - (SSFSR3910MT) <b>\$1,770</b> Gloss - (SSFSR3910GL) <b>\$2,085</b> 23" h x 20" w - Matte - (SSFSR2320MT) <b>\$1,505</b> Gloss - (SSFSR2320GL) <b>\$1,820</b> 23" h x 15" w - Matte - (SSFSR2315MT) <b>\$1,505</b> Gloss - (SSFSR2315GL) <b>\$1,820</b>

Standard Options and Accessories
NOTE: part codes for all options listed in parenthesis.
<b>Quick Ship - reduces lead time - please call for availability (QSPRI2) \$755</b>
<b>Bathroom Table - Constructed of SculptureStone® (TABLE) \$965</b> color matched with tub Gloss Finish Upcharge (SSGLOSSSNK) <b>\$215</b>
<b>SculptureStone® Tub Tray - color / finish matched with tub</b> Solid without stemware holder (SSTRAY1) <b>\$440</b> Solid with Stemware Holder (SSTRAY2) <b>\$440</b>
<b>Teak Tub Tray</b> Slatted (TK-TRAY1) <b>\$415</b> Solid (TK-TRAY2) <b>\$415</b>
<b>Teak Bath Mat - Measures 30" x 17.5" x 1" (TKMAT3018) \$430</b> custom sizes also available, contact MTI for details



Shown above with optional pedestal base

**NOTES REGARDING DRAIN KITS:**

- This tub includes a PVC toe-tap drain in chrome finish, unless otherwise specified.
- Above pricing represents finish upcharge only. Contact MTI for pricing when drain is ordered separately.
- Oil Rubbed Bronze finishes vary among manufacturers. MTI has selected a finish that is compatible with many available.
- For "Special Finish", must send MTI a finish sample to color match.

