

The Blake (#240)

66" x 32" x 22.5"



The Blake, shown above in a matte white finish, is available with gloss finish exterior colors and a matching custom-made-to-fit faucet deck. See next page for image and ordering details.

GENERAL SPECIFICATIONS:

Material - SculptureStone®

Installation - Freestanding

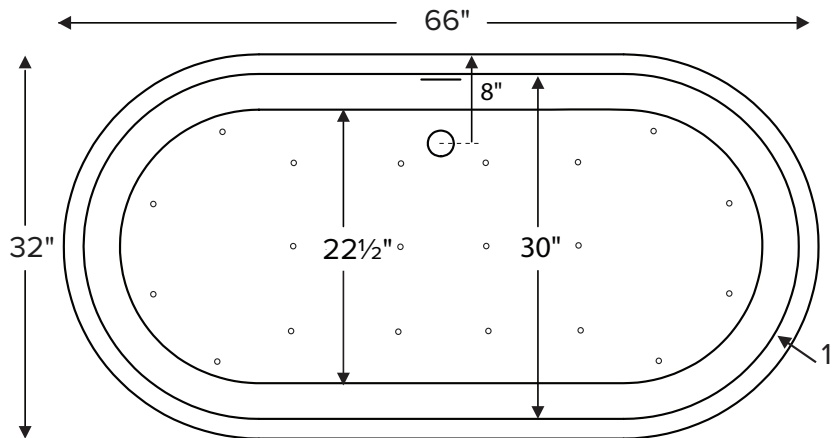
May also be undermounted. Must specify on order. Not recommended as a tub / shower combination.

Soaker Weight - 360 lbs / 123 kg

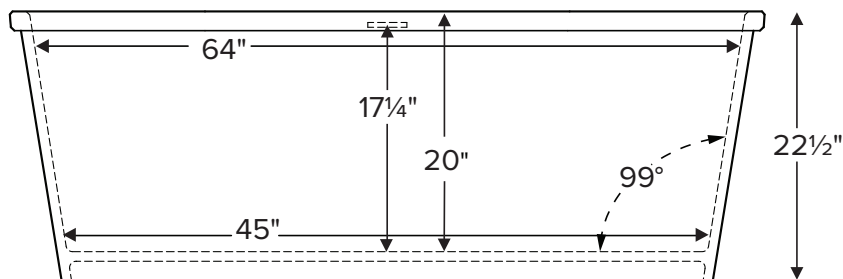
Air Bath Weight - 375 lbs / 132 kg

Maximum Fill - 120 gal to overflow

NOTE: Filling this tub to the maximum may require an above average size or dedicated water heater.



Shown as airbath above. Features integrated overflow with chrome toe tap drain as standard.



ELECTRICAL SPECIFICATIONS

Required Electrical Service - 110 Volt

Air Bath - 1-15 amp GFCI



CSA Certified C/US; ANSI Z124.1

IMPORTANT ORDERING & INSTALLATION INFORMATION:

- Includes an integrated slotted overflow and toe tap drain kit in chrome. Upcharge applies for other available finishes. Oil Rubbed Bronze finishes vary among manufacturers. MTI has selected a finish that is compatible with many available. For "Special Finish", send MTI a finish sample to color match. Tub may be specified without an overflow (see local codes).
- Contact MTI for pricing when drain is ordered separately.
- Air baths require job site preparations for remote mounting the blower and required check valve. Check valve must be installed higher than the rim of the tub. A waterproof remote control is also included, and a keypad is shipped loose for optional installation on a nearby wall or decking. Please read installation manual prior to ordering.
- Requires use of a wall-mounted or freestanding tub filler. See [MTI freestanding fillers and faucet stands](#) for installation of Roman tub faucetry.
- Measurements are +/- 1/2" and are subject to change without notice. Data herein supersedes all prior to publication date shown below.
- Always check tub crate for ordered options and accessories.

See the "Boutique Collection Tubs Installation & Operation Manual" included with tub delivery or go to: mtibaths.com/support/installation for all the information necessary to install and operate the tub. MTI's Customer Service Department is available Monday-Friday 8am-6pm EST at 800-783-8827 or service@mtibaths.com to answer any questions pertaining to ordering or installation.



Hydrotherapy Packages	Package Contents	Part #	MSRP
 Soaker	Soaking bath - no jets. Includes an integrated slotted overflow with a toe-tap drain kit in chrome. Notes: • See "Important Ordering & Installation Information" on previous page. • Please see installation manual for important drain installation details.	S240	\$7,995
 Air Bath	20 air jets, heated air blower, keypad, waterproof remote control, integrated slotted overflow with a toe-tap drain kit in chrome. Notes: • See "Important Ordering & Installation Information" on previous page. • Blower & required check valve must be remote mounted. Check valve must be installed higher than the rim of the tub. • Please see installation manual for important drain installation details.	AST240	\$12,145

Lead Time - Soakers and Air Bath Packages 10 business days

Color and Finish Options
Standard Color - White, matte finish Biscuit Color Upgrade, matte finish - (SSBI) \$250 Additional material colors available for projects only. Please call MTI.
Optional Hand-Polished Deep Gloss Finish Upcharge For White or Biscuit (SSGLOSS) \$645
Exterior Color for Tubs in Gloss only -(SSCOLTG) \$1,500 Must specify color code: Sapphire Blue (SB), Blue Lagoon, (BL), Terracotta (TC), Onyx (OX), Nightfall (NF), Stratus Gray (TG), Stormgray, (SG), Moonstone (MS) See the colors at: mtibaths.com/about-products/tub-options/colors/
Optional Hardware
Toe-Tap Drain Kit Finishes - PVC drain - Chrome (included with tub) +\$30 upcharge White (WIOW), Brushed Nickel (WIOBN), Polished Nickel (WIOPN), Matte Black (WIOMB) +\$95 upcharge Oil-Rubbed Bronze (WIOOR) +\$300 upcharge Special Finish (WIOSF)
Brass Tailpiece (WIOBS) \$35 - In addition to finish charge listed above.
Standard Options and Accessories
Quick Ship - reduces lead time - please call for availability (QSPRI2) \$755
Bathroom Table - Constructed of SculptureStone® (TABLE) \$965 color matched with tub Gloss Finish Upcharge (SSGLOSSSNK) \$215
SculptureStone® Tub Tray - color / finish matched with tub Solid without stemware holder (SSTRAY1) \$440 Solid with Stemware Holder (SSTRAY2) \$440
Teak Tub Tray Slatted (TK-TRAY1) \$415 Solid (TK-TRAY2) \$415
Teak Bath Mat - Measures 30" x 17.5" x 1" (TKMAT3018) \$430 custom sizes also available, contact MTI for details

More Accessories
Floor-Mounted High-Flow Tub Filler - two designs available Contemporary Chrome (FILLC) \$1,995 Brushed Nickel (FILLBN) \$2,155 Traditional Chrome (FILLTC) \$1,995 Brushed Nickel (FILLTBN) \$2,155
Standard Faucet Stand - two sizes available Small - 3-hole capacity 14¼" w x 21¾" h Matte (STAND) \$910* Large - 5-hole capacity 22" w x 21¾" h Matte (STANDL) \$1,020* *+\$205 upcharge Gloss Finish (SSGLOSSSNK)
Premium Faucet Stand - four sizes available 15" w x 39" h Matte (SSFSR3915MT) \$1,700 Gloss (SSFSR3915GL) \$2,005 10" w x 39" h Matte (SSFSR3910MT) \$1,700 Gloss (SSFSR3910GL) \$2,005 20" w x 23" h Matte (SSFSR2320MT) \$1,445 Gloss (SSFSR2320GL) \$1,750 15" w x 23" h Matte (SSFSR2315MT) \$1,445 Gloss (SSFSR2315GL) \$1,750
The Blake Integral Deck - available for The Blake tub model only. See product specification sheet for more details. 32" w x 20" h Matte (SSPTX1MT) \$2,095* Gloss (SSPTX1GL) \$2,635* Exterior Color - Gloss Only (SSPTX1COL) \$2,275* *Must be ordered with tub to receive listed price.



The Blake Integral Deck is custom-made to fit behind The Blake tub model. Go to mtibaths.com/product-options-accessories/tub-accessories for product specifications.

