

MBISC6030A/D

59.5" x 30" x 19" / 16"

GENERAL SPECIFICATIONS:

Installation: Alcove

Material: Acrylic

Plumbed Weight: 105 lbs / 48 kg

Soaker Weight: 85 lbs / 39 kg

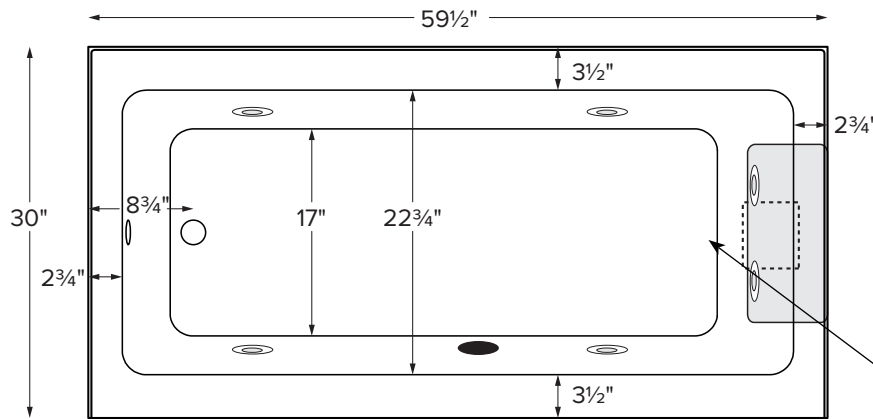
Average Fill: 32 gal to above jet level

Maximum Fill: 39 gal to overflow

NOTE: Filling this tub to the maximum may require an above average size or dedicated water heater.



Features integral front skirting, armrests & factory installed tile flange on 3 sides.

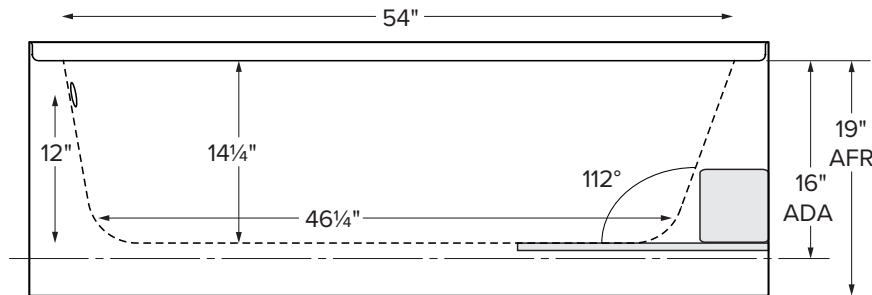


Shown with Whirlpool Package

Compliance Label
Model MTXXXX
Made in USA
Complies with
ANSI Z124.1-1995
CSA Certified CUS

Available in two different heights, see line art to right:

- 19" height allows for an above floor rough-in (AFR)
- 16" height complies with ADA regulations (ADA)
- Tile flange height = 1 1/2"



ELECTRICAL SPECIFICATIONS

- Required Electrical Service - 110 Volt
- Air Bath or Whirlpool - 1-15 amp GFCI
- Soaker - Inline Heater - 1-15 amp GFCI
- Air Bath - Inline Heater - 1-15 amp GFCI
- Whirlpool - Inline Heater - 1-15 amp GFCI

CSA Certified C/US; ANSI Z124.1
CSA Certified C/US; ANSI 112.19.7

IMPORTANT ORDERING & INSTALLATION INFORMATION:

- Before ordering or installing, please consider future access to all equipment.
- Please measure tub on-site before building tub decking.
- Add bedding compound to fully level and support bottom of tub.
- Tubs equipped with an air bath or a pre-leveled foam base are designed to rest on the floor without bedding compound, provided the floor is level.
- Overall tub height is increased by approx. 2-3" when tub is equipped with any air bath package or when pre-leveled foam base or framing system is ordered.
- Jet, pump & blower locations are predetermined and cannot be changed.
- Suction and control locations may vary.
- Options listed cannot be combined with Designer Collection options.
- Specifications and configurations are subject to change without notice.
- Measurements are +1/2" and are subject to change without notice.
- Measurements herein supersede all others published prior to publication date shown below.



PACKAGE	PACKAGE CONTENTS	ABOVE FLOOR ROUGH-IN (AFR) PART #	ADA-COMPLIANT HEIGHT (ADA) PART #
Soaker	Soaking bath - No jets. Includes an integral front skirting, 3-sided integral tile flange, pre-leveled foam base.	MBSISC6030A	MBSISC6030D
Air Bath	12 air jets, heated air blower, integral front skirting, 3-sided integral tile flange, pre-leveled foam base	MBAISC6030A	N/A
Whirlpool	6 point-massage jets, 1-bhp pump, integral front skirting, 3-sided integral tile flange, pre-leveled foam base	MBWISC6030A	MBWISC6030D

<p>COLOR AND FINISH OPTIONS NOTE: Part codes for all options listed in parenthesis.</p> <p>Color Upgrade: Biscuit (MTISCOLOR)</p> <p>STANDARD OPTIONS NOTE: Part codes for all options listed in parenthesis.</p> <p>Quick Ship / Priority Soaker & Whirlpool (QSHIPMTIS) Airbath (QSHIPMTISA)</p> <p>Inline Heater For Whirlpool (HTRMTIS) Heater with Recirculating Pump for Soaker & Air Bath (MBHTISOAK)</p> <p>Lift and Turn Drain & Overflow Chrome (MBWOC) Brushed Nickel (MBWOBN) White (MBWOW)</p>



Front view of the integral skirt.

