

Designer Collection Shower Bases

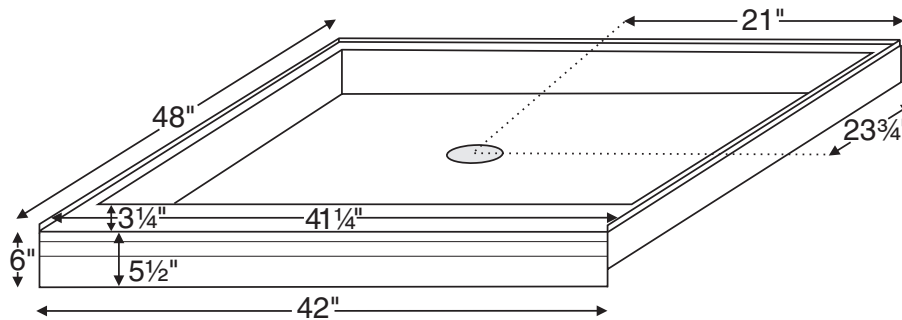


MTSB-4248

42" x 48" x 5.5"

GENERAL SPECIFICATIONS

Material - Acrylic
 Shipping Weight - 65 lbs / 29 kg
 Threshold - Single Threshold
 Drain Location - Center



| Model # | Size | Shape | MSRP |
|---------|------------------|-----------|----------------|
| SB4248 | 42" x 48" x 5.5" | Rectangle | \$1,460 |

| Options <i>Must be ordered at time of purchase</i> |
|---|
| Color Please specify color on order White (CWH) Biscuit (CBS) |
| Quick Ship (QSPRI) \$380 Reduces lead time. Please call for availability. |
| Radiance® (RAD100) \$1,400 Shower floor heating system. Radiance heating grids are fully integrated within the acrylic shell structure of the shower floor. Requires a 110-volt, 15 amp GFCI and remote installation of control box & keypad. |
| Pre-Levelled Foam Base (PLFSB) \$160 |
| PVC Drain Kit Finishes Chrome included with shower base Brushed Nickel upcharge (SBDKBN) \$60 Special Finishes upcharge* (SBDKSF) \$360 *Must send finish sample and allow 3-4 weeks additional lead time. |

| Accessories |
|--|
| Drain Kit Options Solid Brass Drain Kit with Stainless Steel Cover (SBDKSB) \$185 |
| Teak Shower Seat Premium Natural Stainless (TK-SSEAT2416BNS) \$2,575 High-Polished Stainless (TK-SSEAT2416BHP) \$2,975 Standard Natural Stainless (TK-SSEAT2215NS) \$950 High-Polished Stainless (TK-SSEAT2215HP) \$1,320 |
| Teak Bath Mat (TKMAT3018) \$650 Measures 30" x 17.5" x 1" Custom sizes also available. Contact MTI for details. |
| Teak Shower Tray (TK4248) Contact MTI for pricing |

IMPORTANT ORDERING & INSTALLATION INFORMATION

- 3-sided integral tile flange to facilitate installation.
- Single threshold design.
- 3.5" drain opening pre-drilled.
- Drain finish options on this sheet are upcharge prices only. Contact MTI for ordering details for drain kits sold separately.
- Compliant with ASTM C 1028-07 coefficient of friction test.
- Add proper wet-bedding compound to fully support bottom of shower base. Optional factory installed Pre-Levelled Foam Base negates the need to wet bed when installing on a flat, level subfloor. See installation instructions.

• Options and accessories may be packaged inside the tub crate. Always check packaging before discarding.
 • All product measurements are ±1/2".
 • Specifications and configurations are subject to change without notice.
 • Measurements herein supersede all others published prior to publication date below.

See the Installation & Operation Manual for more details.
 MTI's Customer Service: Monday-Friday 8am-6pm EST
800-783-8827 or service@mtibaths.com

CSA # MTSB-4248

©2021 by MTI Baths, Inc. Modification Rights Reserved



Rev. 04 22 2021