

## Boutique Collection Shower Bases

**NOTE: 12 Week Lead Time in business days from the date of order confirmation. Does not include shipping.**

**MTSB-SS6032HD**

60" x 32" x 3.5"

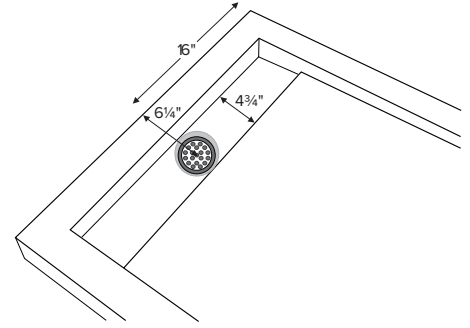
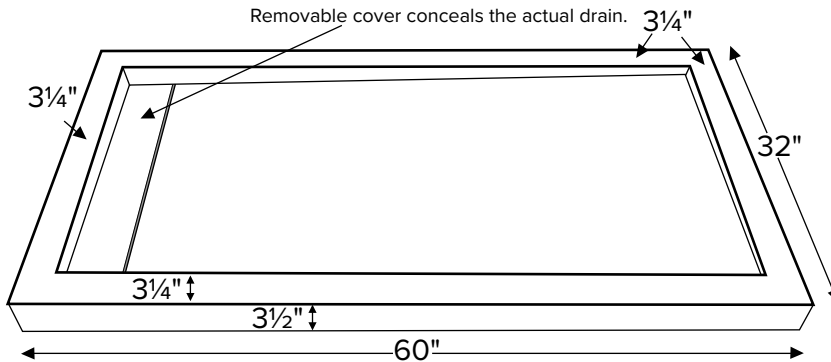
### GENERAL SPECIFICATIONS

**Material** - SculptureStone®

**Shipping Weight** - 180 lbs / 82 kg

**Threshold** - Low-Profile, Multiple Threshold

**Drain Location** - End



Model #	Size	Shape	MSRP	
MTSB-SS6032HD	60" x 32" x 3.5"	Rectangle	<b>\$3,050</b>	<b>Crate / Handling Fee Applies</b>

### Options *Must be ordered at time of purchase*

Standard Color - White, matte finish  
Biscuit Color Upgrade (SSBI) **\$270** matte finish

Quick Ship (QSPRI2) **\$906** Reduces lead time  
*Please call for availability.*

Pre-Leveled Foam Base for Boutique Shower Base (PLFSB2) **\$210**

Drain Kits  
PVC Drain Kit with Chrome Cover Included  
Brushed Nickel upgrade (SBDKBN) **\$60**  
Special Finish upgrade (SBDKSF) **\$360**  
*Send sample. Allow 3 week lead time.*

Solid Brass Drain Kit with Stainless Cover (SBDKSB) **\$185**

### Accessories

Teak Hidden Drain Cover (TKHD32) **\$190**

Teak Bath Mat (TKMAT3018) **\$650** Measures 30" x 17.5" x 1"  
*Custom sizes also available, contact MTI for details.*

Teak Shower Seat

Premium - Natural Stainless (TK-SSEAT2416BNS) **\$2,575**  
High-Polished Stainless (TK-SSEAT2416BHP) **\$2,975**  
Standard - Natural Stainless (TK-SSEAT2215NS) **\$950**  
High-Polished Stainless (TK-SSEAT2215HP) **\$1,320**

SculptureStone Shower Seat

Matte - (SSEAT3016MT) **\$1,295**  
Gloss - (SSEAT3016GL) **\$1,625**

**Packaging / Handling Fee Applies**

SculptureStone Bench

Available in 5 sizes from 24" to 48"  
See SS Bench Specifications for more information.

### IMPORTANT ORDERING & INSTALLATION INFORMATION

- Low-profile, multiple threshold design. Shallow pan.
- Concealed drain. Drain cover is removable for access.
- 3.5" drain opening with PVC drain kit included.
- Factory installed tile flange on 1, 2 or 3 sides to facilitate installation. Please specify flange location(s).
- Measurements are  $\pm 1/2"$  and are subject to change without notice.
- Data herein supersedes all prior to publication date shown below.

- Options and accessories may be packaged inside the tub crate. Always check packaging before discarding.
- All product measurements are  $\pm 1/2"$ .
- Specifications and configurations are subject to change without notice.
- Measurements herein supersede all others published prior to publication date below.

See the Installation & Operation Manual for more details.

MTI's Customer Service: Monday-Friday 8am-6pm EST

**800-783-8827** or [service@mtibaths.com](mailto:service@mtibaths.com)

CSA # MTSB-

©2021 by MTI Baths, Inc. Modification Rights Reserved



Effective 04 23 2021