

Boutique Collection Shower Bases

NOTE: 12 Week Lead Time in business days from the date of order confirmation. Does not include shipping.

MTSB-SS6636HD

66" x 36" x 3.25"

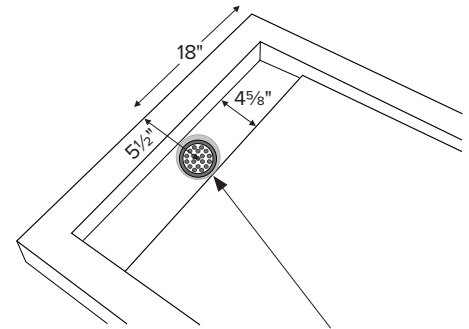
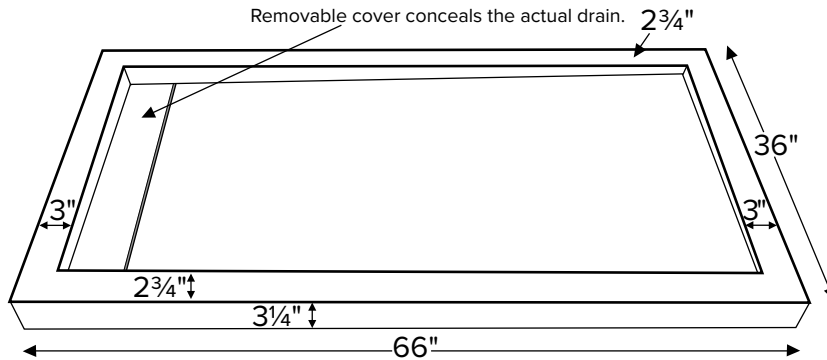
GENERAL SPECIFICATIONS

Material - SculptureStone®

Shipping Weight - 195 lbs / 88 kg

Threshold - Low-Profile, Multiple Threshold

Drain Location - End



Drain is 2 3/4" below top of threshold

Model #	Size	Shape	MSRP	
MTSB-SS6636HD	66" x 36" x 3.25"	Rectangle	\$3,250	Crate / Handling Fee Applies

Options *Must be ordered at time of purchase*

Standard Color - White, matte finish

Biscuit Color Upgrade (SSBI) **\$270** matte finish

Quick Ship (QSPRI2) **\$906** Reduces lead time

Please call for availability.

Pre-Leveled Foam Base for Boutique Shower Base (PLFSB2) **\$210**

Drain Kits

PVC Drain Kit with Chrome Cover Included

Brushed Nickel upgrade (SBDKBN) **\$60**

Special Finish upgrade (SBDKSF) **\$360**

Send sample. Allow 3 week lead time.

Solid Brass Drain Kit with Stainless Cover (SBDKSB) **\$185**

Accessories

Teak Hidden Drain Cover (TKHD36) **\$190**

Teak Bath Mat (TKMAT3018) **\$650** Measures 30" x 17.5" x 1"
Custom sizes also available, contact MTI for details.

Teak Shower Seat

Premium - Natural Stainless (TK-SSEAT2416BNS) **\$2,575**

High-Polished Stainless (TK-SSEAT2416BHP) **\$2,975**

Standard - Natural Stainless (TK-SSEAT2215NS) **\$950**

High-Polished Stainless (TK-SSEAT2215HP) **\$1,320**

SculptureStone Shower Seat

Matte - (SSEAT3016MT) **\$1,295**

Gloss - (SSEAT3016GL) **\$1,625**

Packaging / Handling Fee Applies

SculptureStone Bench

Available in 5 sizes from 24" to 48"

See SS Bench Specifications for more information.

IMPORTANT ORDERING & INSTALLATION INFORMATION

- Low-profile, multiple threshold design. Shallow pan.
- Concealed drain. Drain cover is removable for access.
- 3.5" drain opening with PVC drain kit included.
- Factory installed tile flange on 1, 2 or 3 sides to facilitate installation. Please specify flange location(s).
- Measurements are $\pm 1/2"$ and are subject to change without notice.
- Data herein supersedes all prior to publication date shown below.

- Options and accessories may be packaged inside the tub crate. Always check packaging before discarding.
- All product measurements are $\pm 1/2"$.
- Specifications and configurations are subject to change without notice.
- Measurements herein supersede all others published prior to publication date below.

See the Installation & Operation Manual for more details.

MTI's Customer Service: Monday-Friday 8am-6pm EST

800-783-8827 or service@mtibaths.com

CSA # MTSB-

©2021 by MTI Baths, Inc. Modification Rights Reserved



Effective 04 23 2021