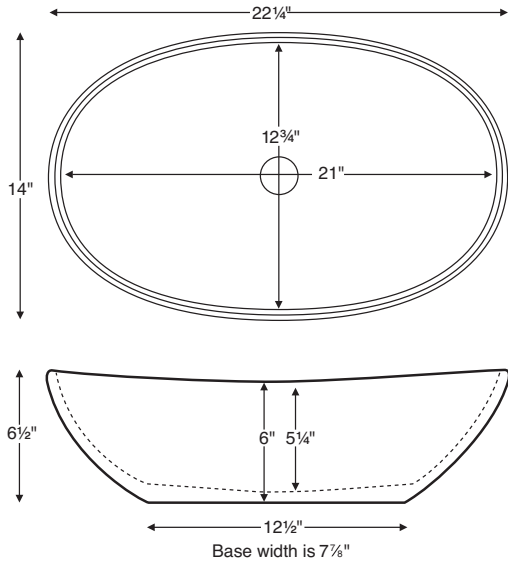




Vessel style sink rests on top of the vanity.



Cut-out for the drain installation required.

Elise

Model # MTCS-715

22.25" x 14" x 6.5"

Material SculptureStone®

Installation vessel only

Lead Time 10 business days

Shipping Weight 26 lbs.

Sink Options and Pricing
Part #: MTCS715 \$1,000
Standard Color White, matte finish Biscuit Color Upgrade (SSBISNK) \$105 matte finish Additional material colors available for projects only. Please call MTI.
Hand-Polished Deep Gloss Finish Upcharge (SSGLOSSSNK) \$215 For White or Biscuit
Quick Ship (QUISINKSH) \$190 reduces lead time Please call for availability.
Options and Accessories
Drain Kits
Finger Touch Drain Without Overflow Chrome (DKFGCN) \$110 , Brushed Nickel (DKFGBNN) \$115
Grid Drain Without Overflow Chrome (DKGDCN) \$80 , Brushed Nickel (DKGDBNN) \$110
Fixed Drain Without Overflow Chrome (DKFDC) \$195



CONSTRUCTION AND STANDARD FEATURES

- 1.5" drain opening. Requires vessel-style drain kit without overflow. Check local codes.
- One-piece construction using Engineered SculptureStone® (ESS) material. ESS is a mixture of ground natural materials and binding agents that are liquefied, poured and then hardened. This material is solid through and through.
- This material is non-porous, stain-, mold- and mildew-resistant.
- Approximately 70% of the material is organic, including minerals mined from the earth, making it "Green".
- Same material and color all the way through, with minor variations due to use of natural minerals.
- Five-Year Limited Residential Warranty.
- Measurements are $\pm 1/2"$ and subject to change without notice
- Data herein supersedes all previous prior to publication date indicated below.