

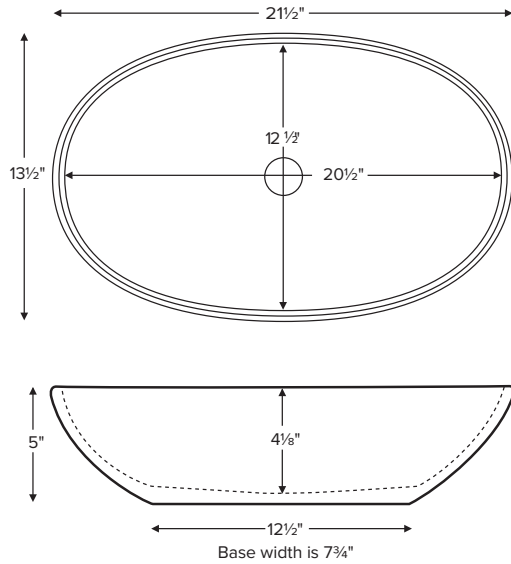


Vessel style rests on top of the vanity.

Alissa

Model # MTCS-716
21.5" x 13.5" x 5"

Material SculptureStone®
Installation vessel style
Shipping Weight 25 lbs.



Cut-out for the drain installation required.

Sink Options and Pricing
Part #: MTCS716 \$840 Packaging / Handling Fee Applies
Standard Color White, matte finish Biscuit Color Upgrade (SSBISNK) \$110 matte finish Additional material colors available for projects only. Please call MTI.
Hand-Polished Deep Gloss Finish Upcharge (SSGLOSSNK) \$380 For White or Biscuit
Exterior Color \$300 (SSCOLSG) Gloss (SSCOLSM) Matte Must specify color code: Saphire Blue (SB), Blue Lagoon (BL), Terracotta (TC), Onyx (OX), Nightfall (NF), Stratus Gray (TG), Stormgray (SG), Moonstone (MS)
Quick Ship (QSPRI3) \$226 reduces lead time Please call for availability.
Options and Accessories
Drain Kits
Finger Touch Drain Without Overflow Chrome (DKFGCN) \$150 , Brushed Nickel (DKFGBNN) \$165
Grid Drain Without Overflow Chrome (DKGDCN) \$100 , Brushed Nickel (DKGDBNN) \$155
Fixed Drain Without Overflow Chrome (DKFDC) \$265



CONSTRUCTION AND STANDARD FEATURES

- 1.5" drain opening. Comes without an overflow. Check local codes.
- One-piece construction using Engineered SculptureStone® (ESS) material.
- This material is non-porous, stain-, mold- and mildew-resistant.
- Approximately 70% of the material is organic, including minerals mined from the earth, making it "Green".
- Five-Year Limited Residential Warranty.



Also available, Alissa Counter-Sink, featuring custom-size countertop with integrated bowl.

Offered in a single or double bowl configuration.

• Before discarding packaging, check for accessories that may be inside.
• All product measurements are $\pm 1/2"$.
• Specifications and configurations are subject to change without notice.
• Measurements herein supersede all others published prior to publication date below.