

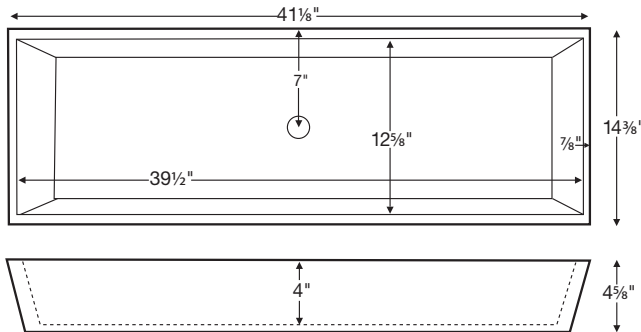


Petra 7 is a single-drain vessel style sink.
For dual drain, see Petra 8, MTCS-749.

Petra 7

Model # MTCS-747
41.125" x 14.375" x 4.625"
Bowl Size: 39.5" x 12.625"

Material SculptureStone®
Installation vessel style or undermount
Shipping Weight 48 lbs.



Due to its handcrafted nature, always measure sink on-site to ensure cut-out accuracy.

When ordered as undermount, 1/2" x 3/8" lip detail accommodates most undermount clips (shown right).



CONSTRUCTION AND STANDARD FEATURES

- 1.5" drain opening. Comes without an overflow. Check local codes.
- Measure on site to achieve the proper cut-out size.
- Lip detail on undermount bowl will accommodate commonly used undermount hardware. Hardware is not included.
- One-piece construction using Engineered SculptureStone® (ESS) material.
- This material is non-porous, stain-, mold- and mildew-resistant.
- Approximately 70% of the material is organic, including minerals mined from the earth, making it "Green".
- Five-Year Limited Residential Warranty.

Sink Options and Pricing

Part #: MTCS747 Vessel **\$1,055** MTCS747UM Undermount **\$1,055**
Packaging / Handling Fee Applies

Standard Color White, matte finish
Biscuit Color Upgrade (SSBISNK) **\$110** matte finish
Additional material colors available for projects only. Please call MTI.

Hand-Polished Deep Gloss Finish Upcharge (SSGLOSSSNK3) **\$660**
For White or Biscuit

Exterior Color \$300 (SSCOLSG) Gloss (SSCOLSM) Matte
Must specify color code:
Saphire Blue (SB), Blue Lagoon (BL), Terracotta (TC), Onyx (OX),
Nightfall (NF), Stratus Gray (TG), Stormgray (SG), Moonstone (MS)

Quick Ship (QSPRI3) **\$226** reduces lead time
Please call for availability.

Options and Accessories

Teak Sink Tray \$140
Slatted (TKST1), Solid (TKST2)

Drain Kits

Finger Touch Drain Without Overflow
Chrome (DKFGCN) **\$150**, Brushed Nickel (DKFGBNN) **\$165**

Grid Drain Without Overflow
Chrome (DKGDCN) **\$100**, Brushed Nickel (DKGDBNN) **\$155**

Fixed Drain Without Overflow
Chrome (DKFDC) **\$265**

Sink Bottom Cover matching material color
Matte (BCLMT) **\$600**, Gloss (BCLGL) **\$730**
Upcharge, Ext. Color for Sink Bottom Cover Matte (SSCOLSBM) **\$230**
Gloss (SSCOLSBG) **\$230**

Options For Undermount Sink

Integrated Overflow no charge
Rear Overflow (SINKIOR), Front Overflow (SINKIOF)

Drain Kits

Finger Touch Drain With Overflow
Chrome (DKFGC) **\$160**, Brushed Nickel (DKFGBN) **\$155**

Grid Drain With Overflow
Chrome (DKGDC) **\$115**, Brushed Nickel (DKGDBN) **\$155**

• Before discarding packaging, check for accessories that may be inside.
• All product measurements are ±1/2".
• Specifications and configurations are subject to change without notice.
• Measurements herein supersede all others published prior to publication date below.

