



Petra 8 is a dual drain vessel style sink.  
For single drain, see Petra 7, MTCS-747

# Petra 8

Model # MTCS-749

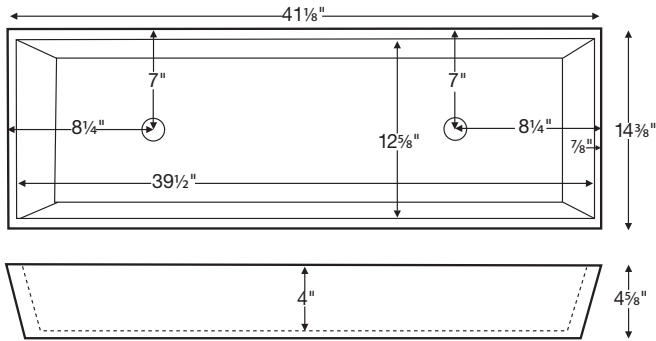
41.125" x 14.375" x 4.625"

Bowl Size: 39.5" x 12.625"

**Material** SculptureStone®

**Installation** vessel style or undermount

**Shipping Weight** 48 lbs.



Due to its handcrafted nature, always measure sink on-site to ensure cut-out accuracy.

When ordered as undermount, 1/2" x 3/8" lip detail accomodates most undermount clips (shown right).



## CONSTRUCTION AND STANDARD FEATURES

- 1.5" drain opening. Comes without an overflow. Check local codes.
- Measure on site to achieve the proper cut-out size.
- Lip detail on undermount bowl will accomodate commonly used undermount hardware. Hardware is not included.
- One-piece construction using Engineered SculptureStone® (ESS) material.
- This material is non-porous, stain-, mold- and mildew-resistant.
- Approximately 70% of the material is organic, including minerals mined from the earth, making it "Green".
- Five-Year Limited Residential Warranty.

### Sink Options and Pricing

**Part #:** MTCS749 Vessel **\$1,055** MTCS749UM Undermount **\$1,065**  
**Packaging / Handling Fee Applies**

**Standard Color** White, matte finish  
**Biscuit Color Upgrade** (SSBISNK) **\$110** matte finish  
Additional material colors available for projects only. Please call MTI.

**Hand-Polished Deep Gloss Finish Upcharge** (SSGLOSSENK3) **\$660**  
For White or Biscuit

**Exterior Color \$300** (SSCOLSG) Gloss (SSCOLSM) Matte  
Must specify color code:  
Saphire Blue (SB), Blue Lagoon (BL), Terracotta (TC), Onyx (OX),  
Nightfall (NF), Stratus Gray (TG), Stormgray (SG), Moonstone (MS)

**Quick Ship** (QSPRI3) **\$226** reduces lead time  
Please call for availability.

### Options and Accessories

**Teak Sink Tray \$140**  
Slatted (TKST1), Solid (TKST2)

#### Drain Kits

**Finger Touch Drain Without Overflow**  
Chrome (DKFGCN) **\$150**, Brushed Nickel (DKFGBNN) **\$165**

**Grid Drain Without Overflow**  
Chrome (DKGDCN) **\$100**, Brushed Nickel (DKGDBNN) **\$155**

**Fixed Drain Without Overflow**  
Chrome (DKFDC) **\$265**

**Sink Bottom Cover** matching material color  
Matte (BCLMT) **\$600**, Gloss (BCLGL) **\$730**  
Upcharge, Ext. Color for Sink Bottom Cover Matte (SSCOLSBM) **\$230**  
Gloss (SSCOLSBG) **\$230**

### Options For Undermount Sink

**Integrated Overflow no charge**  
Rear Overflow (SINKIOR), Front Overflow (SINKIOF)

#### Drain Kits

**Finger Touch Drain With Overflow**  
Chrome (DKFGC) **\$160**, Brushed Nickel (DKFGBN) **\$155**

**Grid Drain With Overflow**  
Chrome (DKGDC) **\$115**, Brushed Nickel (DKGDBN) **\$155**

• Before discarding packaging, check for accessories that may be inside.  
• All product measurements are ±1/2".  
• Specifications and configurations are subject to change without notice.  
• Measurements herein supersede all others published prior to publication date below.

