



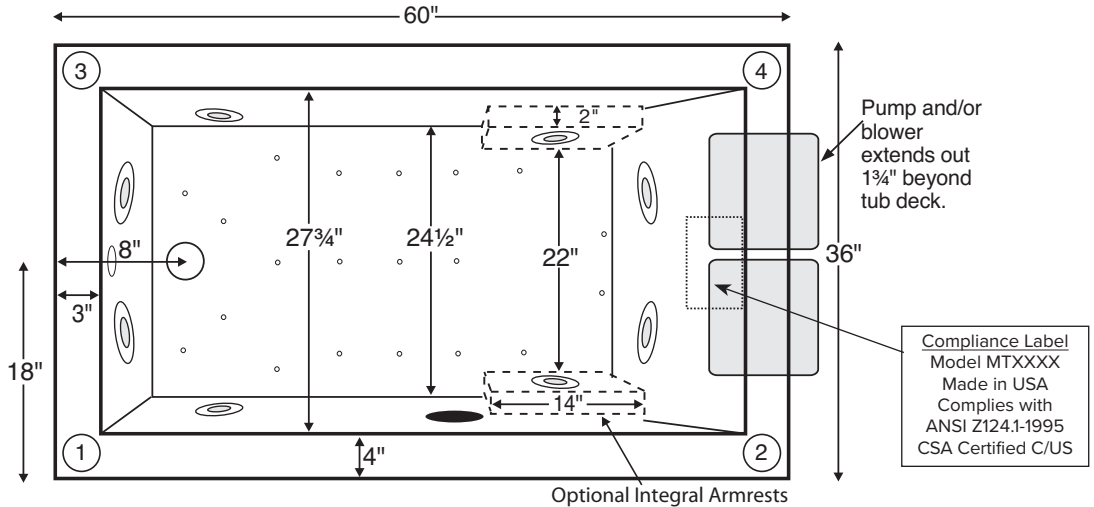
Designer Collection Tubs

Andrea® 11
MODEL # 101
60" x 36" x 20.75"

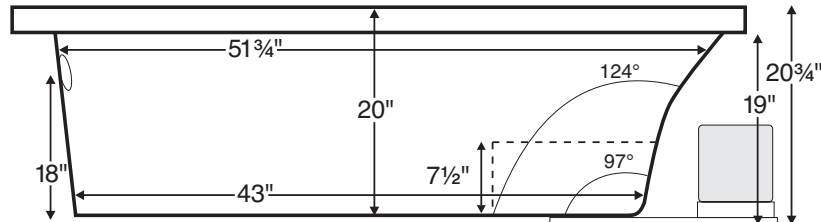
GENERAL SPECIFICATIONS

Material - Acrylic
Installation - Drop-in or Undermount
Plumbed Weight - 125 lbs / 57 kg
Soaker Weight - 100 lbs / 45 kg
Average Fill - 46 gal to above jet level
Maximum Fill - 90 gal to overflow

NOTE: Filling this tub to the maximum may require an above average size or dedicated water heater.



Numbered areas on tub deck represent possible locations to install cleaning systems, faucets and other fixtures.
Pump extends out approximately 1 3/4" beyond tub deck.
 Shown with Air Massage and Ultra Whirlpool Package.



IMPORTANT:
 Air baths and tubs with a pre-leveled foam base or frame system add 2-3" to overall tub height.

IMPORTANT ORDERING & INSTALLATION INFORMATION

- Before ordering or installing, please consider future access to equipment.
- Add proper bedding compound to fully level and support bottom of tub.
- When equipped with an air bath package, pre-leveled foam base or frame system, overall tub height is increased by approx. 2-3" and is designed to install on a flat, level subfloor.
- Radiance placed on airbath floor will affect placement of air jets.
- System components may extend beyond the perimeter of deck.
- Please measure tub **on-site** before building tub decking.
- Advise MTI when planning to use a glass enclosure. Relocation of controls may be necessary.
- Suction and control locations may vary.

ELECTRICAL COMPONENTS & SPECIFICATIONS

Hydrotherapy Package	Components Included	GFCI / 110V
Standard Whirlpool	2-bhp pump	1-15 amp
Stream Bath	1/2-bhp	1-15 amp
Microbubbles	Microbubbles pump	1-15 amp
Ultra Whirlpool	2-bhp pump, inline heater, ozone	2-15 amp
Air Massage	heated blower	1-15 amp
Air Massage Elite	heated blower, chromatherapy	1-15 amp
Air Massage w/ Stream Bath	1/2-bhp pump, heated blower	1-15 amp
Air Massage Elite w/ Stream Bath	1/2-bhp pump, heated blower, chromatherapy	1-15 amp

Hydrotherapy Package	Components Included	GFCI / 110V
Microbubbles with Air	Microbubbles pump, heated blower	1-20 amp
Microbubbles with Air Elite	Microbubbles pump, heated blower, chromatherapy	2-15 amp
Air with Whirlpool	2-bhp pump, heated blower	2-15 amp
Air with Ultra Whirlpool	2-bhp pump, inline heater, heated blower, ozone	2-20 amp
Air Elite with Whirlpool	2-bhp pump, heated blower, chromatherapy	2-15 amp
Air Elite with Ultra Whirlpool	2-bhp pump, inline heater, heated blower, chromatherapy, ozone	2-20 amp

See the Installation & Operation Manual for more details.
 MTI's Customer Service Monday-Friday 8am-6pm EST
 800-783-8827 or service@mtibaths.com

- Before discarding tub crate, check for accessories that may be packaged inside.
- All product measurements are ±1/2".
- Specifications and configurations are subject to change without notice.
- Measurements herein supersede all others published prior to publication date below.



- Aromatherapy is eliminated for undermount applications
- Air Baths, Pre-Leveled Foam Base or Frame Systems increase overall height by 2-3".

Hydrotherapy Packages	Package Contents	Part #	MSRP
Soaker	Soaking bath - no jets	S101-DI	\$2,455
		S101-UM	
Stream Bath	6 side vents, 2 end vents, 1/2 bhp pump	SM101-DI	\$4,755
		SM101-UM	
Microbubbles	1 microbubbles infusion port and pump	M101-DI	\$5,405
		M101-UM	
Air Massage	20 air jets, heated air blower, Aromatherapy, pre-leveled foam base	AST101-DI	\$5,655
		AST101-UM	
Air Massage Elite	30 air jets, heated air blower, Aromatherapy, Chromatherapy LED lighting, Spa Mode, pre-leveled foam base	AE101-DI	\$7,485
		AE101-UM	
Stream Bath with Air Massage	6 side vents, 2 end vents, 1/2 bhp pump, 20 air jets, heated air blower, Aromatherapy, pre-leveled foam base	ASTSM101-DI	\$7,505
		ASTSM101-UM	
Stream Bath with Air Massage Elite	6 side vents, 2 end vents, 1/2 bhp pump, 30 air jets, heated air blower, Aromatherapy, Chromatherapy LED lighting, Spa Mode, pre-leveled foam base	AESM101-DI	\$9,355
		AESM101-UM	
Microbubbles with Air Massage	1 microbubbles infusion port and pump, 20 air jets, heated air blower, Aromatherapy, pre-leveled foam base	ASTM101-DI	\$7,705
		ASTM101-UM	
Microbubbles with Air Massage Elite	1 microbubbles infusion port and pump, 30 air jets, heated air blower, Aromatherapy, Chromatherapy LED lighting, Spa Mode, pre-leveled foam base	AEM101-DI	\$9,055
		AEM101-UM	
Standard Whirlpool	6 point-massage jets, 2-bhp pump	P101-DI	\$4,555
		P101-UM	
Ultra Whirlpool	8 point-massage jets, 2-bhp pump, inline heater, Ozone	P101U-DI	\$6,305
		P101U-UM	
Air Massage with Standard Whirlpool	6 point-massage jets, 2-bhp pump, 20 air jets, heated air blower, Aromatherapy, pre-leveled foam base	AW101-DI	\$7,905
		AW101-UM	
Air Massage with Ultra Whirlpool	8 point-massage jets, 2-bhp pump, inline heater, 20 air jets, heated air blower, Aromatherapy, Ozone, pre-leveled foam base	AU101-DI	\$9,655
		AU101-UM	
Air Massage Elite with Standard Whirlpool	6 point-massage jets, 2-bhp pump, 30 air jets, heated air blower, Aromatherapy, Chromatherapy LED lighting, Spa Mode, pre-leveled foam base	AEAP101-DI	\$9,305
		AEAP101-UM	
Air Massage Elite with Ultra Whirlpool	8 point-massage jets, 2-bhp pump, inline heater, 30 air jets, heated air blower, Aromatherapy, Ozone, Chromatherapy LED lighting, Spa Mode, pre-leveled foam base	AEAP101U-DI	\$11,305
		AEAP101U-UM	

RECOMMENDED SENSORY THERAPIES

Chromatherapy

(LE) **\$695** underwater lighting
 2 LED lights included

Audiotherapy

(STEREOBT) **\$1,200** 2 transducers with bluetooth and amplifier
 (BTREMOTE) **\$490** bluetooth remote

(STEREOH202) **\$1,450** 4 transducers amplifier not included

Thermaaltherapy

(RAD100) **\$1,400** Radiance®
 2 heated zones included
 (HTISOAK) **\$785**



For more information on options and accessories go to Acrylic Tub Options on mtibaths.com

Andrea® 11
MODEL # 101

Options
<i>Must be ordered at time of purchase.</i>
Standard Colors White (CWH) Biscuit (CBS) <i>Please call for availability of special colors.</i>
Quick Ship reduces lead time (QSPRI) \$380 <i>Please call for availability</i>
Inline Heater maintains water temperature For Soaker or Air Baths (HTISOAK) \$785 Includes a recirculating pump <i>Cannot be combined with Microbubbles.</i>
Virtual Spout high-flow integrated tub filler (FPMJ) \$385 <i>Must specify stub-out location on order. See page 1 for location options.</i>
Grab Bars from \$275 <i>Selections vary. Personalization available.</i>
Textured, Slip-Resistant Bottom (TXTBTM) \$100 Compliant with ASTM C 1028-07 friction coefficient.
Low-Profile Rim - reduces rim height to 1" (LPR) \$250
Integral Armrests - 1 pair (INTARM) \$125 end drain tub models Integral Armrests - 2 pair (INTARM2) \$260 center drain tub models
Accessories
Pillows from \$145
Teak Bath Mat (TKMAT3018) \$650 <i>Custom sizes also available. Contact MTI for details and pricing.</i>
Teak Tub Tray \$400 Slatted (TK-TRAY1), Solid (TK-TRAY2)
Teak Seat (TK-REMSEAT) \$575 For use with armrests only.

Hydrotherapy Equipment & Cleaning Systems
<i>Must be ordered at time of purchase.</i>
Inline Heater maintains water temperature For Whirlpools or Stream Bath (HTI) \$545 Uses existing pump <i>Cannot be combined with Microbubbles.</i>
Whirlpool Cleaning Systems Fill-Flush (FFSO) \$560 Simple Touch (FFE) \$915 <i>Must specify stub-out location on order. See page 1 for location options.</i>
Whirlpool Jets Pump upgrade may be advisable for optimal performance when adding jets. Point-Massage Jet Extra Point-Massage Jet (EJ) \$300 Micro-Jet from \$345 <i>Jet styles and packages vary. Personalization available.</i>
Pump Upgrade - 3-bhp (PUMP3) \$300
Jet Trim Kits For Standard Whirlpool Chrome (TRC) \$235 , Brushed Nickel (TRBN) \$595 For Ultra Whirlpool Chrome (TRCU) \$320 , Brushed Nickel (TRBNU) \$820 <i>Other finishes available.</i>
Ozonator (OZONE) \$490 <i>Cannot be added to soakers or airbaths without combination hydrotherapy package or HTISOAK.</i>

Installation Options *Must be ordered at time of purchase.*

Pre-Leveled Foam Base (PLFOAM) \$255 All airbaths include a pre-leveled foam base.
Pre-Leveled Frame and Foam Base (PLF) \$630
Pre-Leveled Frame and Foam Base with Skirting <i>For pricing and details go to mtibaths.com</i>

Tile Flange Factory-Installed on 3 sides - rigid ABS (TFK3) \$190 Field Install Kit - includes rigid ABS & adhesive (TFKNI) \$175 IMPORTANT: <i>Must specify flange location(s) on order of Factory-Installed Flange. Not available with optional Low-Profile Rim.</i>

Drains & Overflow Kits *Toe Tap Rectangular Overflow must be ordered at time of purchase*

Cable Driven
Drain Finishes – PVC Drain Kit White/Biscuit (WOCDW) \$420 Chrome (WOCD) \$390 Brushed Nickel (WOCDBN) \$395 Polished Nickel (WOCDPN) \$515 Oil-Rubbed Bronze† (WOCBOR) \$525 Polished Brass (WOCDBR) \$495 Special Finishes* (WOCDSF) \$1,080 <i>MTI does not offer a brass body cable drain kit.</i>

Toe Tap
Round Overflow – PVC Drain Kit Chrome (WOTTC) \$360 Brushed Nickel (WOTTBN) \$365 Polished Nickel (WOTTPN) \$365 Special Finishes* (WOTTSF) \$1,040
Round Overflow – Solid Brass Drain Chrome (WOTTSC) \$770 Brushed Nickel (WOTTSCBN) \$770 Polished Nickel (WOTTSCPN) \$770

Toe Tap
Rectangular Overflow – PVC Drain Kit Chrome (WOTRC) \$380 Brushed Nickel (WOTRBN) \$390 White (WOTRW) \$420
Lift & Turn Drain Finishes – PVC Drain Kit Chrome (WOC) \$175 White (WOW) \$235 Brushed Nickel (WOBN) \$290

Slim-Line Overflow with Toe Tap Drain *Must be ordered at time of purchase.*

- Low profile overflow is factory installed
- Overflow measures 4.5" x 1"
- Provides a deeper soak
- Not available for commercial applications

Slim-Line Overflow with Toe Tap Drain
PVC Drain Chrome (SLOT) \$475 Brushed Nickel (SLOTBN) \$505 Polished Nickel (SLOTPN) \$530 White (SLOTW) \$400

Slim-Line Overflow with Toe Tap Drain
Solid Brass Drain Chrome (SLOTSBC) \$885 Brushed Nickel (SLOTSBBN) \$890 Polished Nickel (SLOTSBPN) \$890 White (SLOTSBW) \$920

† MTI has selected an oil-rubbed bronze finish that is compatible with Delta and many other manufacturers. To ensure best match, order as a Special Finish and submit a sample.

* Allow 2-4 weeks lead time for Special Finishes. Send sample for best match.

