



Features integral skirting and tile flange.

## Designer Collection Tubs

### Cameron 1

MODEL # 151

60" x 32" x 20.625"

#### GENERAL SPECIFICATIONS

**Material** - Acrylic

**Installation** - Alcove

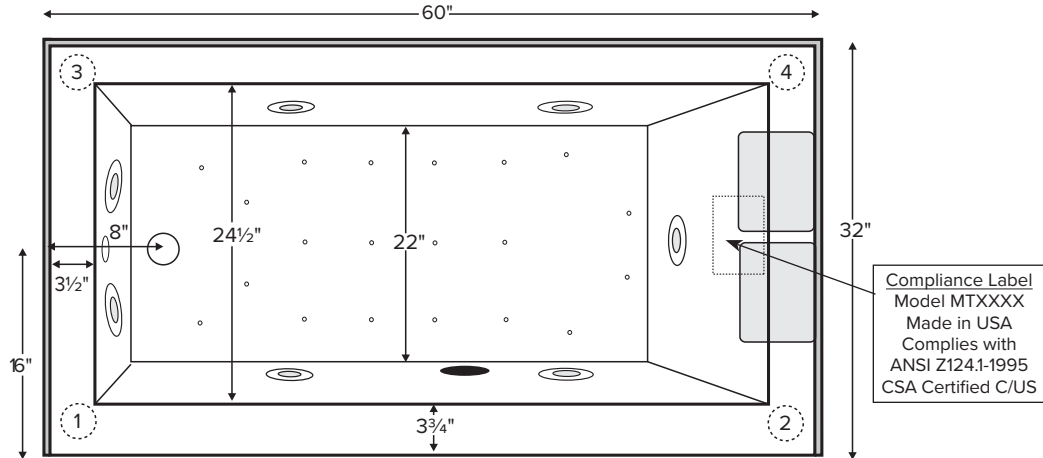
**Plumbed Weight** - 130 lbs / 59 kg

**Soaker Weight** - 105 lbs / 48 kg

**Average Fill** - 30 gal to above jet level

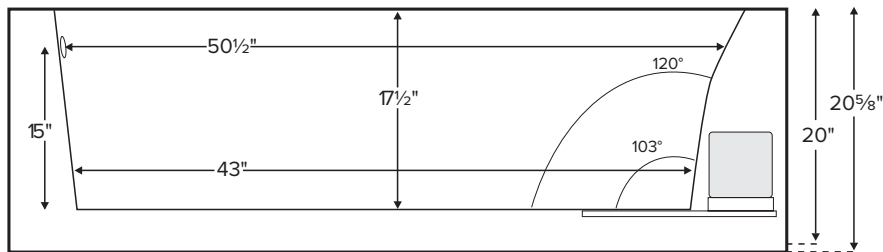
**Maximum Fill** - 57 gal to overflow

NOTE: Filling this tub to the maximum may require an above average size or dedicated water heater.



Requires use of a wall-mounted tub filler.  
Numbered areas on tub deck represent possible locations to install cleaning systems stub-out under the tub deck.

Shown with Air Massage and Ultra Whirlpool Package.



#### IMPORTANT ORDERING & INSTALLATION INFORMATION

- Before ordering or installing, please consider future access to equipment.
- Must specify left- or right-hand drain when ordering.
- Non-removable skirt provides no access to equipment. Must have end-access for servicing.
- This tub model is designed to install on a flat, level subfloor.
- Radiance placed on airbath floor will affect placement of air jets.
- System components may extend beyond the perimeter of deck.
- Advise MTI when planning to use a glass enclosure. Relocation of controls may be necessary.
- Suction and control locations may vary.

#### ELECTRICAL COMPONENTS & SPECIFICATIONS

Hydrotherapy Package	Components Included	GFCI / 110V
Standard Whirlpool	2-bhp pump	1-15 amp
Stream Bath	½-bhp	1-15 amp
Microbubbles	Microbubbles pump	1-15 amp
Ultra Whirlpool	2-bhp pump x 2, inline heater, ozone	2-20 amp
Air Massage	heated blower	1-15 amp
Air Massage Elite	heated blower, chromatherapy	1-15 amp
Air Massage w/ Stream Bath	½-bhp pump, heated blower	1-15 amp
Air Massage Elite w/ Stream Bath	½-bhp pump, heated blower, chromatherapy	1-15 amp

Hydrotherapy Package	Components Included	GFCI / 110V
Microbubbles with Air	Microbubbles pump, heated blower	1-20 amp
Microbubbles with Air Elite	Microbubbles pump, heated blower, chromatherapy	2-15 amp
Air with Whirlpool	2-bhp pump, heated blower	2-15 amp
Air with Ultra Whirlpool	2-bhp pump x 2, inline heater, heated blower, ozone	2-20 amp
Air Elite with Whirlpool	2-bhp pump, heated blower, chromatherapy	2-15 amp
Air Elite with Ultra Whirlpool	2-bhp pump x 2, inline heater, heated blower, chromatherapy, ozone	2-20 amp

See the Installation & Operation Manual for more details.  
MTI's Customer Service Monday-Friday 8am-6pm EST  
800-783-8827 or service@mtibaths.com

- Before discarding tub crate, check for accessories that may be packaged inside.
- All product measurements are ±1/2".
- Specifications and configurations are subject to change without notice.
- Measurements herein supersede all others published prior to publication date below.

CSA # MTDS-151

©2021 by MTI Baths, Inc. Modification Rights Reserved



Cameron 1

MODEL # 151

60" x 32" x 20.625"

Hydrotherapy Packages	Package Contents	Part #	MSRP
Soaker	Soaking bath - no jets; features integral skirting (no front access), integral tile flange, pre-leveled foam base <b>Note: Overall tub height can be reduced by .625" for soakers only. Must specify on order.</b>	S151	\$2,050
Stream Bath	6 side vents, 2 end vents, 1-bhp pump integral skirting (no front access), integral tile flange, pre-leveled foam base	SM151	\$4,000
Microbubbles	1 microbubbles infusion port and pump; features integral skirting (no front access), integral tile flange, pre-leveled foam base	M151	\$4,550
Air Massage	20 air jets, heated air blower, Aromatherapy, integral skirting (no front access), integral tile flange, pre-leveled foam base	AST151	\$4,950
Air Massage Elite	30 air jets, heated air blower, Aromatherapy, Chromotherapy LED lighting, Spa Mode, integral skirting (no front access), integral tile flange, pre-leveled foam base	AE151	\$6,740
Stream Bath with Air Massage	6 side vents, 2 end vents, 1-bhp pump, 20 air jets, heated air blower, Aromatherapy, integral skirting (no front access), integral tile flange, pre-leveled foam base	ASTSM151	\$6,750
Stream Bath with Air Massage Elite	6 side vents, 2 end vents, 1-bhp pump, 30 air jets, heated air blower, Aromatherapy, Chromotherapy LED lighting, Spa Mode, integral skirting (no front access), integral tile flange, pre-leveled foam base	AESM151	\$8,525
Microbubbles with Air Massage	1 microbubbles infusion port and pump, 20 air jets, heated air blower, Aromatherapy, integral skirting (no front access), integral tile flange, pre-leveled foam base	ASTM151	\$7,050
Microbubbles with Air Massage Elite	1 microbubbles infusion port and pump, 30 air jets, heated air blower, Aromatherapy, Chromotherapy LED lighting, Spa Mode, integral skirting (no front access), integral tile flange, pre-leveled foam base	AEM151	\$8,050
Standard Whirlpool	5 point-massage jets, 2-bhp pump, integral skirting (no front access), integral tile flange, pre-leveled foam base	P151	\$3,950
Ultra Whirlpool	7 point-massage jets, 2-bhp pump, inline heater, Ozone, integral skirting (no front access), integral tile flange, pre-leveled foam base	P151U	\$5,300
Air Massage with Standard Whirlpool	5 point-massage jets, 2-bhp pump, 20 air jets, heated air blower, Aromatherapy, integral skirting (no front access), integral tile flange, pre-leveled foam base	AW151	\$6,950
Air Massage with Ultra Whirlpool	7 point-massage jets, 2-bhp pump, inline heater, 20 air jets, heated air blower, Aromatherapy, Ozone, integral skirting (no front access), integral tile flange, pre-leveled foam base	AU151	\$8,300
Air Massage Elite with Standard Whirlpool	5 point-massage jets, 2-bhp pump, 30 air jets, heated air blower, Aromatherapy, Chromotherapy LED lighting, Spa Mode, integral skirting (no front access), integral tile flange, pre-leveled foam base	AEAP151	\$8,500
Air Massage Elite with Ultra Whirlpool	7 point-massage jets, 2-bhp pump, inline heater, 30 air jets, heated air blower, Aromatherapy, Chromotherapy LED lighting, Spa Mode, Ozone integral skirting (no front access), integral tile flange, pre-leveled foam base	AEAP151U	\$9,650

RECOMMENDED SENSORY THERAPIES

**Chromatherapy**

(LE) **\$640** underwater lighting  
2 LED lights included

**Audiotherapy**

(STEREOBT) **\$1,175** 2 transducers  
with bluetooth and amplifier  
(BTREMOTE) **\$490** bluetooth remote

(STEREOH202) **\$1,135** 4 transducers  
amplifier not included

**Thermaaltherapy**

(RAD100) **\$1,190** Radiance®  
2 heated zones included  
(HTISOAK) **\$785**



For more information on options and accessories go to Acrylic Tub Options on mtibaths.com

Cameron 1  
MODEL # 151

Options
<i>Must be ordered at time of purchase.</i>
<b>Standard Colors</b> White (CWH) Biscuit (CBS) <i>Please call for availability of special colors.</i>
<b>Quick Ship</b> reduces lead time (QSPRI) <b>\$380</b> <i>Please call for availability</i>
<b>Inline Heater</b> maintains water temperature <b>For Soaker or Air Baths (HTISOAK) \$785</b> Includes a recirculating pump <i>Cannot be combined with Microbubbles.</i>
<b>Virtual Spout</b> high-flow integrated tub filler (FPMJ) <b>\$350</b> <i>Must specify stub-out location on order. See page 1 for location options.</i>
<b>Grab Bars</b> from <b>\$300</b> <i>Selections vary. Personalization available.</i>
<b>Textured, Slip-Resistant Bottom (TXTBTM) \$100</b> Compliant with ASTM C 1028-07 friction coefficient.
Accessories
<b>Pillows</b> from <b>\$145</b>
<b>Teak Bath Mat (TKMAT3018) \$390</b> <i>Custom sizes also available. Contact MTI for details and pricing.</i>
<b>Teak Tub Tray \$315</b> Slatted (TK-TRAY1), Solid (TK-TRAY2)

Hydrotherapy Equipment & Cleaning Systems
<i>Must be ordered at time of purchase.</i>
<b>Inline Heater</b> maintains water temperature <b>For Whirlpools or Stream Bath (HTI) \$545</b> Uses existing pump <i>Cannot be combined with Microbubbles.</i>
<b>Whirlpool Cleaning Systems</b> <b>Fill-Flush (FFSO) \$590</b> <b>Simple Touch (FFE) \$800</b> <i>Must specify stub-out location on order. See page 1 for location options.</i>
<b>Whirlpool Jets</b> Pump upgrade may be advisable for optimal performance when adding jets. <b>Point-Massage Jet</b> Extra Point-Massage Jet (EJ) <b>\$300</b> <b>Micro-Jet</b> from <b>\$345</b> <i>Jet styles and packages vary. Personalization available.</i>
<b>Pump Upgrade - 3-bhp (PUMP3) \$245</b>
<b>Jet Trim Kits</b> <b>For Standard Whirlpool</b> Chrome (TRC) <b>\$235</b> , Brushed Nickel (TRBN) <b>\$595</b> <b>For Ultra Whirlpool</b> Chrome (TRCU) <b>\$320</b> , Brushed Nickel (TRBNU) <b>\$820</b> <i>Other finishes available.</i>
<b>Ozonator (OZONE) \$535</b> <i>Cannot be added to soakers or airbaths without combination hydrotherapy package or HTISOAK.</i>

**Drains & Overflow Kits** *Toe Tap Rectangular Overflow must be ordered at time of purchase*

<p><b>Cable Driven</b></p> <p><b>Drain Finishes</b> – PVC Drain Kit White/Biscuit (WOCDW) <b>\$345</b> Chrome (WOCD) <b>\$325</b> Brushed Nickel (WOCDBN) <b>\$395</b> Polished Nickel (WOCDPN) <b>\$515</b> Oil-Rubbed Bronze* (WOCDOR) <b>\$525</b> Polished Brass (WOCDBR) <b>\$505</b> Special Finishes* (WOCDSF) <b>\$835</b> <i>MTI does not offer a brass body cable drain kit.</i></p>	<p><b>Toe Tap</b></p> <p><b>Round Overflow</b> – PVC Drain Kit Chrome (WOTTC) <b>\$300</b> Brushed Nickel (WOTTBN) <b>\$325</b> Polished Nickel (WOTTPN) <b>\$340</b> Special Finishes* (WOTTSF) <b>\$970</b></p> <p><b>Round Overflow</b> – Solid Brass Drain Chrome (WOTTSBC) <b>\$755</b> Brushed Nickel (WOTTSBBN) <b>\$755</b> Polished Nickel (WOTTSBPN) <b>\$755</b></p>	<p><b>Toe Tap</b></p> <p><b>Rectangular Overflow</b> – PVC Drain Kit Chrome (WOTRC) <b>\$315</b> Brushed Nickel (WOTRBN) <b>\$325</b> White (WOTRW) <b>\$350</b></p> <p><b>Lift &amp; Turn</b></p> <p><b>Drain Finishes</b> – PVC Drain Kit Chrome (WOC) <b>\$130</b> White (WOW) <b>\$190</b> Brushed Nickel (WOBN) <b>\$235</b></p>
<p><b>Slim-Line Overflow with Toe Tap Drain</b> <i>Must be ordered at time of purchase.</i></p> <ul style="list-style-type: none"> <li>Low profile overflow is factory installed</li> <li>Overflow measures 4.5" x 1"</li> <li>Provides a deeper soak</li> <li>Not available for commercial applications</li> </ul>	<p><b>Slim-Line Overflow with Toe Tap Drain</b></p> <p>PVC Drain Chrome (SLOT) <b>\$390</b> Brushed Nickel (SLOTBN) <b>\$400</b> Polished Nickel (SLOTBN) <b>\$410</b> White (SLOTW) <b>\$400</b></p>	<p><b>Slim-Line Overflow with Toe Tap Drain</b></p> <p>Solid Brass Drain Chrome (SLOTSBC) <b>\$825</b> Brushed Nickel (SLOTSBBN) <b>\$825</b> Polished Nickel (SLOTSBPN) <b>\$825</b> White (SLOTSBW) <b>\$825</b></p>

\* MTI has selected an oil-rubbed bronze finish that is compatible with Delta and many other manufacturers. To ensure best match, order as a Special Finish and submit a sample.

\* Allow 2-4 weeks lead time for Special Finishes. Send sample for best match.