

Elena (#245)

58" x 32" x 23"

GENERAL SPECIFICATIONS:

Material - SculptureStone®

Installation - Freestanding - *Not recommended as a tub / shower combination.*

Soaker Weight - 270 lbs / 120 kg

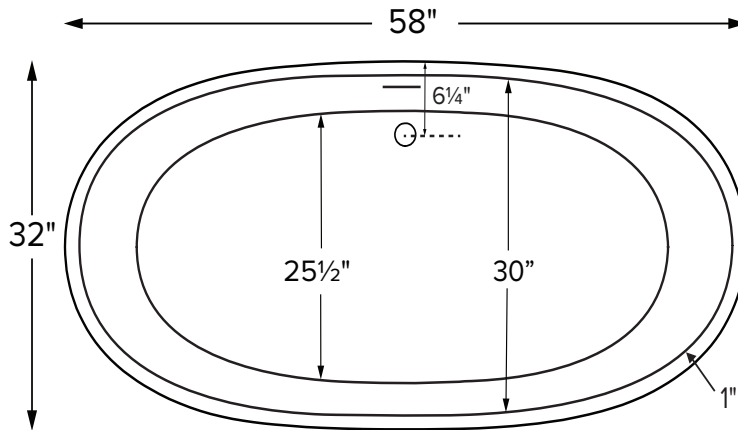
Air Bath Weight - 290 lbs / 127 kg

Maximum Fill - 75 gal to overflow



Elena featuring an integrated slotted overflow and a half-rolled rim.

NOTE: Filling this tub to the maximum may require an above average size or dedicated water heater.



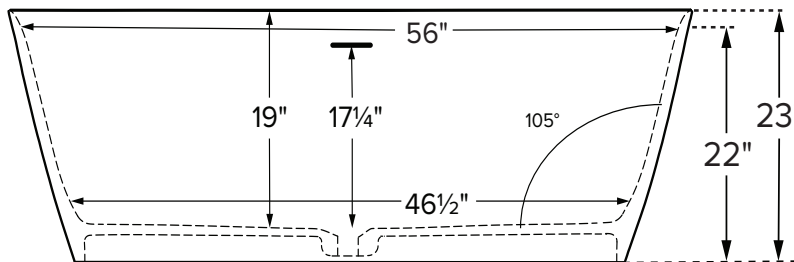
Elena is available with a half-rolled or flat rim, Tub height will vary based upon features selected.



Half-Rolled Rim



Flat Rim
(reduces overall height by 1")



ELECTRICAL SPECIFICATIONS

Required Electrical Service - 110 Volt
Air Bath - 1-15 amp GFCI

DRAIN INSTALLATION

Rough-in distance is from center of drain to top outside edge of tub.
See line drawing.

CSA Certified C/US; ANSI Z124.1

MTI's Customer Service Department is available Monday-Friday 8am-6pm EST at 800.783.8827 or service@mtibaths.com.

IMPORTANT ORDERING & INSTALLATION INFORMATION:

- Includes an integrated slotted overflow, requiring onsite installation of provided toe tap PVC drain kit. Brass tailpiece available. See "Accessories" on the next page. This tub may also be specified without an overflow (see local codes before ordering without an overflow).
- Air baths require job site preparation for remote installation of the blower and required check valve. Check valve must be installed higher than the rim of the tub.
- Waterproof remote control included with air bath. Tub also includes optional keypad that may be remote mounted on nearby surface/wall.
- May require use of a wall-mounted or freestanding tub filler. Valves cannot be mounted on the tub.
- See the ["Boutique Collection Tubs Installation & Operation Manual"](#) for more details.
- Measurements are ±1/2" and are subject to change without notice.
- Inspect tub crate thoroughly before discarding packaging, as options and accessories may be packaged with tub.
- Data herein supersedes all prior to publication date shown below.





Boutique Collection Tubs

Elena (Model #245)

245R 58" x 32" x 23"

245F 58" x 32" x 22"

Hydrotherapy Packages	Package Contents	Part #	MSRP
 Soaker	Soaking bath - no jets. Includes an integrated slotted overflow with a toe-tap drain kit in chrome finish. Notes: • See "Important Ordering & Installation Information" on previous page.	S245R (Half-Rolled Rim)	\$7,270
		S245F (Flat Rim)	
 Air Bath	20 air jets, heated air blower, keypad, waterproof remote control. Includes an integrated slotted overflow with a toe-tap drain kit in chrome finish. Notes: • See "Important Ordering & Installation Information" on previous page. • Blower & required check valve must be remote mounted. Check valve must be installed higher than the rim of the tub.	AST245R (Half-Rolled Rim)	\$11,420
		AST245F (Flat Rim)	

Lead Time - Soakers and Air Bath Packages 10 business days

*Additional 20 business days when ordered with **Exterior Color** (SSCOLTG)

Options
Quick Ship (QSPRI2) \$755 reduces lead time Please call for availability.
Standard Color White, matte finish Biscuit Color Upgrade (SSBI) \$260 matte finish Additional material colors available for projects only. Please call MTI.
Hand-Polished Deep Gloss Finish Upcharge (SSGLOSS) \$645 For White or Biscuit Only
Exterior Color* in Gloss only (SSCOLTG) \$1,500 Must specify color code: Sapphire Blue (SB), Blue Lagoon (BL), Terracotta (TC), Onyx (OX), Nightfall (NF), Stratus Gray (TG), Stormgray (SG), Moonstone (MS)
Toe-Tap Drain Kit Finishes Complete PVC drain kit in Chrome finish included with tub. +\$30 upcharge White (WIOW), Br. Nickel (WIOBN), Pol. Nickel (WIOPN) Matte Black (WIOBM) +\$100 upcharge Oil-Rubbed Bronze (WIOOR) +\$375 upcharge Special Finish (WIOSF)

MTI's SculptureStone® Premium Component Stand for freestanding tubs and air baths.



Access panel and decorative air vent for air bath blower shown right.
Faucetry not included. MTI does not offer faucetry.

NOTES REGARDING DRAIN KITS:

- Above pricing represents finish upcharge only. Contact MTI for pricing when drain is ordered separately.
- Oil Rubbed Bronze finishes vary among manufacturers. MTI has selected a finish that is compatible with many available.
- For "Special Finish", must send MTI a finish sample to color match.

Accessories				
Brass Tailpiece (WIOBS) \$35 in addition to finish charge listed above				
Quick Drain Kit (WOQ) \$250				
SculptureStone® Bathroom Table (TABLE) \$965 matte finish +\$215 gloss finish upcharge (SSGLOSSNK) Color matched with tub.				
SculptureStone® Tub Tray \$440 Without Stemware Holder (SSTRAY1) With Stemware Holder (SSTRAY2) Color and finish matched with tub.				
Teak Tub Tray \$415 Slatted (TK-TRAY1), Solid (TK-TRAY2)				
Teak Bath Mat (TKMAT3018) \$430 Measures 30" x 17.5" x 1" Custom sizes also available. Contact MTI for details.				
Floor-Mounted High-Flow Tub Filler				
<table border="0"> <tr> <td>Contemporary Chrome (FILLC) \$2,055 Br. Nickel (FILLBN) \$2,220</td> <td>Traditional Chrome (FILLTC) \$2,055 Br. Nickel (FILLTBN) \$2,220</td> </tr> </table>	Contemporary Chrome (FILLC) \$2,055 Br. Nickel (FILLBN) \$2,220	Traditional Chrome (FILLTC) \$2,055 Br. Nickel (FILLTBN) \$2,220		
Contemporary Chrome (FILLC) \$2,055 Br. Nickel (FILLBN) \$2,220	Traditional Chrome (FILLTC) \$2,055 Br. Nickel (FILLTBN) \$2,220			
SculptureStone® Standard Faucet Stand				
<table border="0"> <tr> <td>Small - 3-hole capacity 14¼" w x 21¾" h Matte (STAND) \$945</td> <td>Large - 5-hole capacity 22" w x 21¾" h Matte (STANDL) \$1,060</td> </tr> </table>	Small - 3-hole capacity 14¼" w x 21¾" h Matte (STAND) \$945	Large - 5-hole capacity 22" w x 21¾" h Matte (STANDL) \$1,060		
Small - 3-hole capacity 14¼" w x 21¾" h Matte (STAND) \$945	Large - 5-hole capacity 22" w x 21¾" h Matte (STANDL) \$1,060			
+\$215 gloss finish upcharge (SSGLOSSNK)				
SculptureStone® Premium Faucet Stand				
<table border="0"> <tr> <td>15" w x 39" h Matte (SSFSR3915MT) \$1,770 Gloss (SSFSR3915GL) \$2,085</td> <td>10" w x 39" h Matte (SSFSR3910MT) \$1,770 Gloss (SSFSR3910GL) \$2,085</td> </tr> <tr> <td>20" w x 23" h Matte (SSFSR2320MT) \$1,505 Gloss (SSFSR2320GL) \$1,820</td> <td>15" w x 23" h Matte (SSFSR2315MT) \$1,505 Gloss (SSFSR2315GL) \$1,820</td> </tr> </table>	15" w x 39" h Matte (SSFSR3915MT) \$1,770 Gloss (SSFSR3915GL) \$2,085	10" w x 39" h Matte (SSFSR3910MT) \$1,770 Gloss (SSFSR3910GL) \$2,085	20" w x 23" h Matte (SSFSR2320MT) \$1,505 Gloss (SSFSR2320GL) \$1,820	15" w x 23" h Matte (SSFSR2315MT) \$1,505 Gloss (SSFSR2315GL) \$1,820
15" w x 39" h Matte (SSFSR3915MT) \$1,770 Gloss (SSFSR3915GL) \$2,085	10" w x 39" h Matte (SSFSR3910MT) \$1,770 Gloss (SSFSR3910GL) \$2,085			
20" w x 23" h Matte (SSFSR2320MT) \$1,505 Gloss (SSFSR2320GL) \$1,820	15" w x 23" h Matte (SSFSR2315MT) \$1,505 Gloss (SSFSR2315GL) \$1,820			
SculptureStone® Premium Component Stand				
Compatible with select tub models.				
20" l x 22.5" h Matte (SSPX1MT) \$3,150 Gloss (SSPX1GL) \$3,875				

