

Designer Collection Tubs



Mirage

MODEL # 43

59.5" x 30.5" / 42" x 19.75"

GENERAL SPECIFICATIONS

Material - Acrylic

Installation - Drop-in (cannot be undermounted)
Not recommended as a tub/shower combination.

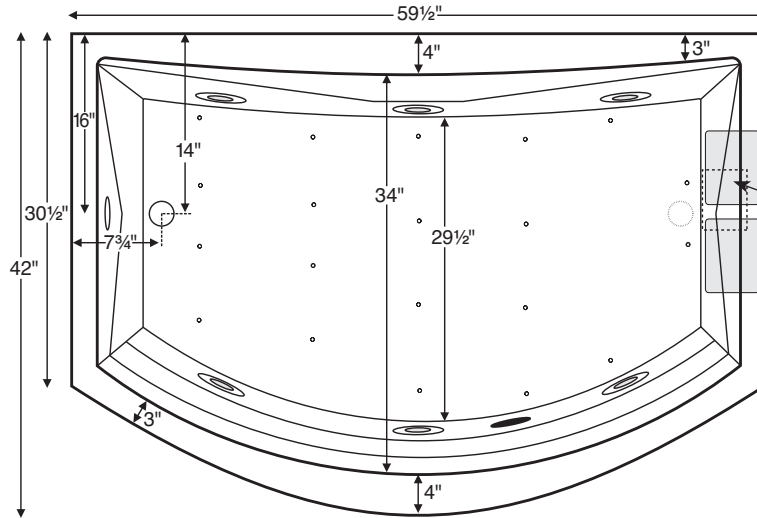
Plumbed Weight - 150 lbs / 68 kg

Soaker Weight - 100 lbs / 45 kg

Average Fill - 45 gal to above jet level

Maximum Fill - 85 gal to overflow

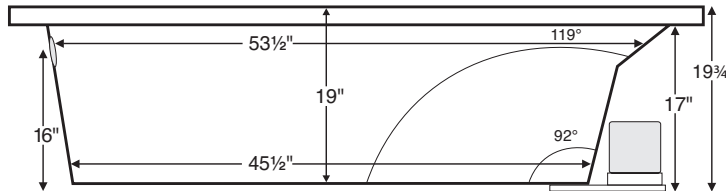
NOTE: Filling this tub to the maximum may require an above average size or dedicated water heater.



Compliance Label
 Model MTXXXX
 Made in USA
 Complies with
 ANSI Z124.1-1995
 CSA Certified C/US

Available with left- or right-hand drain.

When ordered with Install Ease frame & skirt package, wall-mount valves are required.
 Shown with Air Massage and Standard Whirlpool Package.



IMPORTANT:
 Air baths and tubs with a pre-leveled foam base or frame system add 2-3" to overall tub height.

IMPORTANT ORDERING & INSTALLATION INFORMATION

- Before ordering or installing, please consider future access to equipment.
- Add proper bedding compound to fully level and support bottom of tub.
- When equipped with an air bath package, pre-leveled foam base or frame system, overall tub height is increased by approx. 2-3" and is designed to install on a flat, level subfloor.
- Radiance placed on airbath floor will affect placement of air jets.
- System components may extend beyond the perimeter of deck.
- Please measure tub **on-site** before building tub decking.
- Advise MTI when planning to use a glass enclosure. Relocation of controls may be necessary.
- Suction and control locations may vary.

ELECTRICAL COMPONENTS & SPECIFICATIONS

Hydrotherapy Package	Components Included	GFCI / 110V
Standard Whirlpool	2-bhp pump	1-15 amp
Microbubbles	Microbubbles pump	1-15 amp
Air Massage	heated blower	1-15 amp
Air Massage Elite	heated blower, chromatherapy	1-15 amp

Hydrotherapy Package	Components Included	GFCI / 110V
Microbubbles with Air	Microbubbles pump, heated blower	1-20 amp
Microbubbles with Air Elite	Microbubbles pump, heated blower, chromatherapy	2-15 amp
Air with Whirlpool	2-bhp pump, heated blower	2-15 amp
Air Elite with Whirlpool	2-bhp pump, heated blower, chromatherapy	2-15 amp

Electrical requirements may change with the addition of optional therapy components. See specific option details or installation information.
 CSA Certified C/US; ANSI Z124.1 and ANSI 112.19.7

See the Installation & Operation Manual for more details.
 MTI's Customer Service Monday-Friday 8am-6pm EST
 800-783-8827 or service@mtibaths.com

- Before discarding tub crate, check for accessories that may be packaged inside.
- All product measurements are ±1/2".
- Specifications and configurations are subject to change without notice.
- Measurements herein supersede all others published prior to publication date below.



Mirage

MODEL # 43

59.5" x 30.5" / 42" x 19.75"

- Aromatherapy is eliminated for undermount applications
- Air Baths, Pre-Leveled Foam Base or Frame Systems increase overall height by 2-3".

Hydrotherapy Packages	Package Contents	Part #	MSRP
Soaker	Soaking bath - no jets	S43	\$2,510
Microbubbles	1 microbubbles infusion port and pump	M43	\$5,410
Air Massage	20 air jets, heated air blower, Aromatherapy, pre-leveled foam base	AST43	\$5,610
Air Massage Elite	30 air jets, heated air blower, Aromatherapy, Chromatherapy LED lighting, Spa Mode, pre-leveled foam base	AE43	\$7,060
Microbubbles with Air Massage	1 microbubbles infusion port and pump, 20 air jets, heated air blower, Aromatherapy, pre-leveled foam base	ASTM43	\$8,060
Microbubbles with Air Massage Elite	1 microbubbles infusion port and pump, 30 air jets, heated air blower, Aromatherapy, Chromatherapy LED lighting, Spa Mode, pre-leveled foam base	AEM43	\$9,010
Standard Whirlpool	6 point-massage jets, 2-bhp pump	P43	\$4,310
Air Massage with Standard Whirlpool	6 point-massage jets, 2-bhp pump, 20 air jets, heated air blower, Aromatherapy, pre-leveled foam base	AW43	\$7,510
Air Massage Elite with Standard Whirlpool	6 point-massage jets, 2-bhp pump, 30 air jets, heated air blower, Aromatherapy, Chromatherapy LED lighting, Spa Mode, pre-leveled foam base	AEAP43	\$8,810

RECOMMENDED SENSORY THERAPIES

Chromatherapy

(LE) **\$695** underwater lighting
2 LED lights included

Audiotherapy

(STEREOBT) **\$1,200** 2 transducers with bluetooth and amplifier
(BTREMOTE) **\$490** bluetooth remote

(STEREOH202) **\$1,450** 4 transducers amplifier not included

Thermotherapy

(RAD100) **\$1,400** Radiance®
2 heated zones included
(HTISOAK) **\$785**



For more information on options and accessories go to Acrylic Tub Options on mtibaths.com

Mirage
MODEL # 43

Options

Must be ordered at time of purchase.

Standard Colors White (CWH)
Biscuit (CBS)

Please call for availability of special colors.

Quick Ship reduces lead time (QSPRI) **\$380**

Please call for availability

Inline Heater maintains water temperature
For Soaker or Air Baths (HTISOAK) \$785
Includes a recirculating pump

Cannot be combined with Microbubbles.

Virtual Spout high-flow integrated tub filler (FPMJ) **\$385**

Must specify stub-out location on order. See page 1 for location options.

Grab Bars from **\$300**

Selections vary. Personalization available.

Accessories

Pillows from **\$145**

Teak Bath Mat (TKMAT3018) **\$650**

Custom sizes also available. Contact MTI for details and pricing.

Installation Options *Must be ordered at time of purchase.*

Pre-Leveled Foam Base (PLFOAM) \$255

All airbaths include a pre-leveled foam base.

Pre-Leveled Frame and Foam Base (PLF) \$630

Pre-Leveled Frame and Foam Base with Skirting

Install Ease Package (FSKIE) **\$1,000**

Hydrotherapy Equipment & Cleaning Systems

Must be ordered at time of purchase.

Inline Heater maintains water temperature
For Whirlpools or Stream Bath (HTI) \$545

Uses existing pump

Cannot be combined with Microbubbles.

Whirlpool Cleaning Systems

Fill-Flush (FFSO) **\$560**

Simple Touch (FFE) **\$915**

Must specify stub-out location on order. See page 1 for location options.

Whirlpool Jets Pump upgrade may be advisable for optimal performance when adding jets.

Point-Massage Jet

Extra Point-Massage Jet (EJ) **\$300**

Micro-Jet from **\$345**

Jet styles and packages vary. Personalization available.

Pump Upgrade - 3-bhp (PUMP3) \$300

Jet Trim Kits

For Standard Whirlpool

Chrome (TRC) **\$235**, Brushed Nickel (TRBN) **\$595**

For Ultra Whirlpool

Chrome (TRCU) **\$320**, Brushed Nickel (TRBNU) **\$820**

Other finishes available.

Ozonator (OZONE) \$490

Cannot be added to soakers or airbaths without combination hydrotherapy package or HTISOAK.

Drains & Overflow Kits

Toe Tap Rectangular Overflow must be ordered at time of purchase

Cable Driven

Drain Finishes – PVC Drain Kit

White/Biscuit (WOCDW) **\$420**

Chrome (W OCD) **\$390**

Brushed Nickel (WOCDBN) **\$395**

Polished Nickel (WOCDPN) **\$515**

Oil-Rubbed Bronze+ (WOC DOR) **\$525**

Polished Brass (WOCDBR) **\$495**

Special Finishes* (WOCDSF) **\$1,080**

MTI does not offer a brass body cable drain kit.

Toe Tap

Round Overflow – PVC Drain Kit

Chrome (WOTTC) **\$360**

Brushed Nickel (WOTTBN) **\$365**

Polished Nickel (WOTTPN) **\$365**

Special Finishes* (WOTT SF) **\$1,040**

Round Overflow – Solid Brass Drain

Chrome (WOTT SBC) **\$770**

Brushed Nickel (WOTT SBBN) **\$770**

Polished Nickel (WOTT SBPN) **\$770**

Toe Tap

Rectangular Overflow – PVC Drain Kit

Chrome (WOTRC) **\$380**

Brushed Nickel (WOTRBN) **\$390**

White (WOTRW) **\$420**

Lift & Turn

Drain Finishes – PVC Drain Kit

Chrome (WOC) **\$175**

White (WOW) **\$235**

Brushed Nickel (WOBN) **\$290**

Slim-Line Overflow with Toe Tap Drain *Must be ordered at time of purchase.*

- Low profile overflow is factory installed
- Overflow measures 4.5" x 1"
- Provides a deeper soak
- Not available for commercial applications

Slim-Line Overflow with Toe Tap Drain

PVC Drain

Chrome (SLOT C) **\$475**

Brushed Nickel (SLOTBN) **\$505**

Polished Nickel (SLOT PN) **\$530**

White (SLOTW) **\$400**

Slim-Line Overflow with Toe Tap Drain

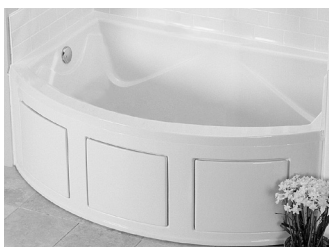
Solid Brass Drain

Chrome (SLOTSBC) **\$885**

Brushed Nickel (SLOTSBBN) **\$890**

Polished Nickel (SLOTSBPN) **\$890**

White (SLOTSBW) **\$920**



Shown with
Install Ease Package

NOTE: When tub is ordered with Install Ease Package, wall-mount valves are required. A faucet cannot be mounted on front deck of tub.

* MTI has selected an oil-rubbed bronze finish that is compatible with Delta and many other manufacturers. To ensure best match, order as a Special Finish and submit a sample.

* Allow 2-4 weeks lead time for Special Finishes. Send sample for best match.

