

Designer Collection Tubs

Reflection 4

MODEL # 51

60" x 32" x 23.5"

GENERAL SPECIFICATIONS

Material - Acrylic

Installation - Drop-in (cannot be undermounted)
Not recommended as a tub / shower combination.

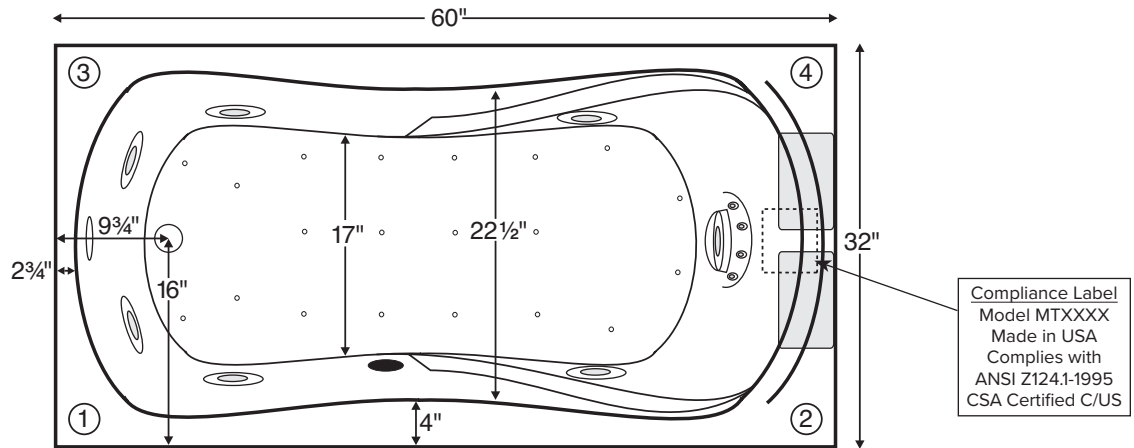
Plumbed Weight - 150 lbs / 68 kg

Soaker Weight - 100 lbs / 45 kg

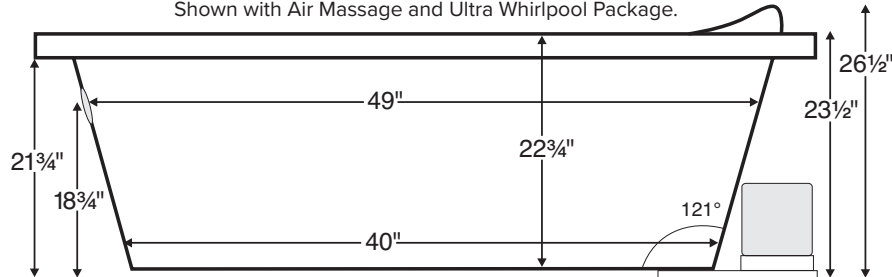
Average Fill - 38 gal to above jet level

Maximum Fill - 70 gal to overflow

NOTE: Filling this tub to the maximum may require an above average size or dedicated water heater.



Numbered areas on tub deck represent possible locations to install cleaning systems, faucets and other fixtures. Shown with Air Massage and Ultra Whirlpool Package.



IMPORTANT:
 Air baths and tubs with a pre-levelled foam base or frame system add 2-3" to overall tub height.

IMPORTANT ORDERING & INSTALLATION INFORMATION

- Before ordering or installing, please consider future access to equipment.
- Add proper bedding compound to fully level and support bottom of tub.
- When equipped with an air bath package, pre-levelled foam base or frame system, overall tub height is increased by approx. 2-3" and is designed to install on a flat, level subfloor.
- Radiance placed on airbath floor will affect placement of air jets.
- System components may extend beyond the perimeter of deck.
- Please measure tub **on-site** before building tub decking.
- Advise MTI when planning to use a glass enclosure. Relocation of controls may be necessary.
- Suction and control locations may vary.

ELECTRICAL COMPONENTS & SPECIFICATIONS

Hydrotherapy Package	Components Included	GFCI / 110V
Standard Whirlpool	2-bhp pump	1-15 amp
Stream Bath	1/2-bhp	1-15 amp
Microbubbles	Microbubbles pump	1-15 amp
Ultra Whirlpool	3-bhp pump, inline heater, ozone	2-15 amp
Air Massage	heated blower	1-15 amp
Air Massage Elite	heated blower, chromatherapy	1-15 amp
Air Massage w/ Stream Bath	1/2-bhp pump, heated blower	1-15 amp
Air Massage Elite w/ Stream Bath	1/2-bhp pump, heated blower, chromatherapy	1-15 amp

Hydrotherapy Package	Components Included	GFCI / 110V
Microbubbles with Air	Microbubbles pump, heated blower	1-20 amp
Microbubbles with Air Elite	Microbubbles pump, heated blower, chromatherapy	2-15 amp
Air with Whirlpool	2-bhp pump, heated blower	2-15 amp
Air with Ultra Whirlpool	3-bhp pump, inline heater, heated blower, ozone	2-20 amp
Air Elite with Whirlpool	2-bhp pump, heated blower, chromatherapy	2-15 amp
Air Elite with Ultra Whirlpool	3-bhp pump, inline heater, heated blower, chromatherapy, ozone	2-20 amp

See the Installation & Operation Manual for more details.
 MTI's Customer Service Monday-Friday 8am-6pm EST
 800-783-8827 or service@mtibaths.com

- Before discarding tub crate, check for accessories that may be packaged inside.
- All product measurements are $\pm 1/2"$.
- Specifications and configurations are subject to change without notice.
- Measurements herein supersede all others published prior to publication date below.

CSA # MTDS-51

©2021 by MTI Baths, Inc. Modification Rights Reserved



Reflection 4

MODEL # 51

60" x 32" x 23.5"

- Aromatherapy is eliminated for undermount applications
- Air Baths, Pre-Leveled Foam Base or Frame Systems increase overall height by 2-3".

Hydrotherapy Packages	Package Contents	Part #	MSRP
Soaker	Soaking bath - no jets	S51	\$2,190
Stream Bath	6 side vents, 2 end vents, 1/2 bhp pump	SM51	\$4,490
Microbubbles	1 microbubbles infusion port and pump	M51	\$5,140
Air Massage	20 air jets, heated air blower, Aromatherapy, pre-leveled foam base	AST51	\$5,390
Air Massage Elite	30 air jets, heated air blower, Aromatherapy, Chromotherapy LED lighting, Spa Mode, pre-leveled foam base	AE51	\$7,700
Stream Bath with Air Massage	6 side vents, 2 end vents, 1/2 bhp pump, 20 air jets, heated air blower, Aromatherapy, pre-leveled foam base	ASTSM51	\$7,240
Stream Bath with Air Massage Elite	6 side vents, 2 end vents, 1/2 bhp pump, 30 air jets, heated air blower, Aromatherapy, Chromotherapy LED lighting, Spa Mode, pre-leveled foam base	AESM51	\$9,090
Microbubbles with Air Massage	1 microbubbles infusion port and pump, 20 air jets, heated air blower, Aromatherapy, pre-leveled foam base	ASTM51	\$7,440
Microbubbles with Air Massage Elite	1 microbubbles infusion port and pump, 30 air jets, heated air blower, Aromatherapy, Chromotherapy LED lighting, Spa Mode, pre-leveled foam base	AEM51	\$8,790
Standard Whirlpool	5 point-massage jets, 2-bhp pump	P51	\$4,290
Ultra Whirlpool	7 point-massage jets, 4 micro-jets, 3-bhp pump, inline heater, Ozone	P51U	\$6,040
Air Massage with Standard Whirlpool	5 point-massage jets, 2-bhp pump, 20 air jets, heated air blower, Aromatherapy, pre-leveled foam base	AW51	\$7,640
Air Massage with Ultra Whirlpool	7 point-massage jets, 4 micro-jets, 3-bhp pump, inline heater, 20 air jets, heated air blower, Aromatherapy, Ozone, pre-leveled foam base	AU51	\$9,540
Air Massage Elite with Standard Whirlpool	5 point-massage jets, 2-bhp pump, 30 air jets, heated air blower, Aromatherapy, Chromotherapy LED lighting, Spa Mode, pre-leveled foam base	AEAP51	\$9,040
Air Massage Elite with Ultra Whirlpool	7 point-massage jets, 4 micro-jets, 3-bhp pump, inline heater, 30 air jets, heated air blower, Aromatherapy, Ozone, Chromotherapy LED lighting, Spa Mode, pre-leveled foam base	AEAP51U	\$11,190

RECOMMENDED SENSORY THERAPIES

Chromatherapy

(LE) **\$695** underwater lighting
2 LED lights included

Audiotherapy

(STEREOBT) **\$1,200** 2 transducers with bluetooth and amplifier
(BTREMOTE) **\$490** bluetooth remote

(STEREOH202) **\$1,450** 4 transducers amplifier not included

Thermaltherapy

(RAD100) **\$1,400** Radiance®
2 heated zones included
(HTISOAK) **\$785**



For more information on options and accessories go to Acrylic Tub Options on mtibaths.com

Reflection 4
MODEL # 51

Options

Must be ordered at time of purchase.

Standard Colors White (CWH)
Biscuit (CBS)

Please call for availability of special colors.

Quick Ship reduces lead time (QSPRI) **\$380**

Please call for availability

Inline Heater maintains water temperature
For Soaker or Air Baths (HTISOAK) \$785
Includes a recirculating pump

Cannot be combined with Microbubbles.

Virtual Spout high-flow integrated tub filler (FPMJ) **\$385**

Must specify stub-out location on order. See page 1 for location options.

Grab Bars from **\$275**

Selections vary. Personalization available.

Textured, Slip-Resistant Bottom (TXTBTM) \$100

Compliant with ASTM C 1028-07 friction coefficient.

Accessories

Pillows from **\$145**

Teak Bath Mat (TKMAT3018) \$650

Custom sizes also available. Contact MTI for details and pricing.

Hydrotherapy Equipment & Cleaning Systems

Must be ordered at time of purchase.

Inline Heater maintains water temperature
For Whirlpools or Stream Bath (HTI) \$545

Uses existing pump

Cannot be combined with Microbubbles.

Whirlpool Cleaning Systems

Fill-Flush (FFSO) \$560

Simple Touch (FFE) \$915

Must specify stub-out location on order. See page 1 for location options.

Whirlpool Jets Pump upgrade may be advisable for optimal performance when adding jets.

Point-Massage Jet

Extra Point-Massage Jet (EJ) **\$300**

Micro-Jet from **\$345**

Jet styles and packages vary. Personalization available.

Pump Upgrade - 3-bhp (PUMP3) \$300

Jet Trim Kits

For Standard Whirlpool

Chrome (TRC) **\$235**, Brushed Nickel (TRBN) **\$595**

For Ultra Whirlpool

Chrome (TRCU) **\$320**, Brushed Nickel (TRBNU) **\$820**

Other finishes available.

Ozonator (OZONE) \$490

Cannot be added to soakers or airbaths without combination hydrotherapy package or HTISOAK.

Installation Options *Must be ordered at time of purchase.*

Pre-Leveled Foam Base (PLFOAM) \$255

All airbaths include a pre-leveled foam base.

Pre-Leveled Frame and Foam Base (PLF) \$630

Pre-Leveled Frame and Foam Base with Skirting

For pricing and details go to mtibaths.com

Tile Flange

Factory-Installed on 3 sides - rigid ABS (TFK3) \$190

Field Install Kit - includes rigid ABS & adhesive (TFKNI) \$175

IMPORTANT: *Must specify flange location(s) on order of Factory-Installed Flange. Not available with optional Low-Profile Rim.*

Drains & Overflow Kits

Cable Driven

Drain Finishes – PVC Drain Kit

White/Bone/Biscuit (WOCDW) **\$420**

Chrome (WOC) **\$390**

Brushed Nickel (WOCDBN) **\$395**

Polished Nickel (WOCDPN) **\$515**

Oil-Rubbed Bronze* (WOCODR) **\$525**

Polished Brass (WOCDBR) **\$495**

Special Finishes* (WOCDSF) **\$1,080**

MTI does not offer a brass body cable drain kit.

Lift & Turn

Drain Finishes – PVC Drain Kit

Chrome (WOC) **\$175**

White (WOW) **\$235**

Brushed Nickel (WOBN) **\$290**

Toe Tap

Round Overflow – PVC Drain Kit

Chrome (WOTTC) **\$360**

Brushed Nickel (WOTTBN) **\$365**

Polished Nickel (WOTTPN) **\$365**

Special Finishes* (WOTTSF) **\$1,040**

Round Overflow – Solid Brass Drain

Chrome (WOTTSBC) **\$770**

Brushed Nickel (WOTTSBBN) **\$770**

Polished Nickel (WOTTSBPN) **\$770**

* MTI has selected an oil-rubbed bronze finish that is compatible with Delta and many other manufacturers. To ensure best match, order as a Special Finish and submit a sample.

* Allow 2-4 weeks lead time for Special Finishes. Send sample for best match.

