



## Designer Collection Tubs

### Melinda 3

MODEL # 87

65.5" x 35" x 21.75"

#### GENERAL SPECIFICATIONS

**Material** - Acrylic

**Installation** - Drop-in (cannot be undermounted)  
*Not recommended as a tub / shower combination.*

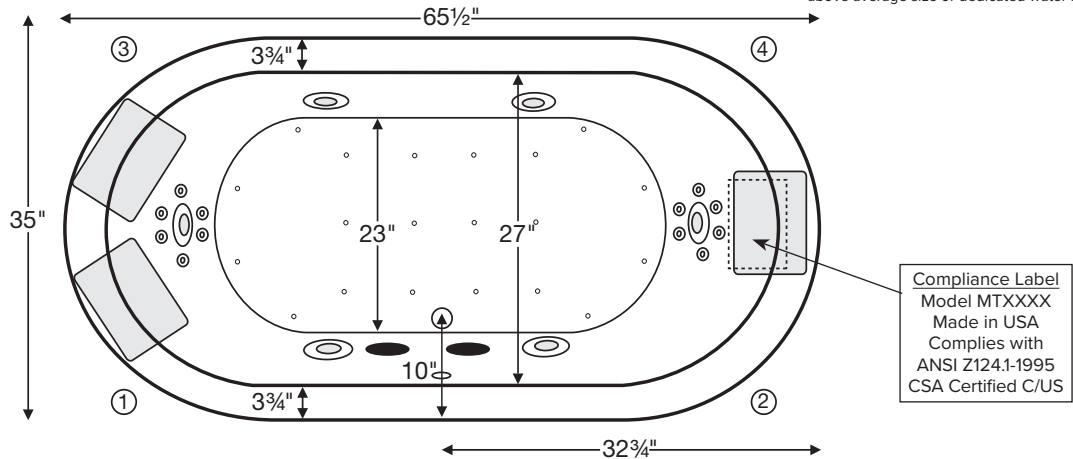
**Plumbed Weight** - 110 lbs / 50 kg

**Soaker Weight** - 88 lbs / 40 kg

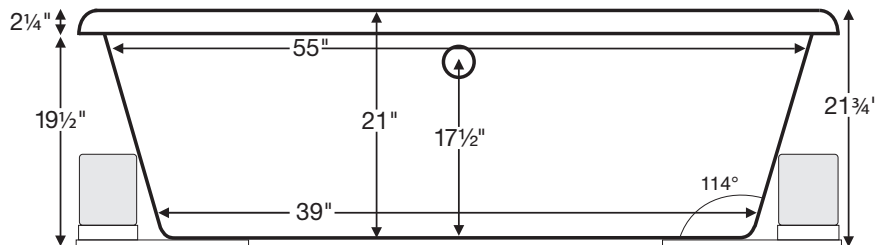
**Average Fill** - 54 gal to above jet level

**Maximum Fill** - 80 gal to overflow

NOTE: Filling this tub to the maximum may require an above average size or dedicated water heater.



Numbered areas represent possible locations to install cleaning systems, faucets and other fixtures. Shown with Air Massage and Ultra Whirlpool Package.



**IMPORTANT:** Air baths and tubs with a pre-leveled foam base or frame system add 2-3" to overall tub height.

#### IMPORTANT ORDERING & INSTALLATION INFORMATION

- Before ordering or installing, please consider future access to equipment.
- Add proper bedding compound to fully level and support bottom of tub.
- When equipped with an air bath package, pre-leveled foam base or frame system, overall tub height is increased by approx. 2-3" and is designed to install on a flat, level subfloor.
- Radiance placed on airbath floor will affect placement of air jets.
- System components may extend beyond the perimeter of deck.
- Please measure tub **on-site** before building tub decking.
- Advise MTI when planning to use a glass enclosure. Relocation of controls may be necessary.
- Suction and control locations may vary.

#### ELECTRICAL COMPONENTS & SPECIFICATIONS

Hydrotherapy Package	Components Included	GFCI / 110V
Standard Whirlpool	2-bhp pump	1-15 amp
Stream Bath	1/2-bhp	1-15 amp
Microbubbles	Microbubbles pump	1-15 amp
Ultra Whirlpool	2-bhp pump x 2, inline heater, ozone	2-20 amp
Air Massage	heated blower	1-15 amp
Air Massage Elite	heated blower, chromatherapy	1-15 amp
Air Massage w/ Stream Bath	1/2-bhp pump, heated blower	1-15 amp
Air Massage Elite w/ Stream Bath	1/2-bhp pump, heated blower, chromatherapy	1-15 amp

Electrical requirements may change with the addition of optional therapy components. See specific option details or installation information. CSA Certified C/US; ANSI Z124.1 and ANSI 112.19.7

Hydrotherapy Package	Components Included	GFCI / 110V
Microbubbles with Air	Microbubbles pump, heated blower	1-20 amp
Microbubbles with Air Elite	Microbubbles pump, heated blower, chromatherapy	2-15 amp
Air with Whirlpool	2-bhp pump, heated blower	2-15 amp
Air with Ultra Whirlpool	2-bhp pump x 2, inline heater, heated blower, ozone	2-20 amp
Air Elite with Whirlpool	2-bhp pump, heated blower, chromatherapy	2-15 amp
Air Elite with Ultra Whirlpool	2-bhp pump x 2, inline heater, heated blower, chromatherapy, ozone	2-20 amp

See the Installation & Operation Manual for more details. MTI's Customer Service Monday-Friday 8am-6pm EST 800-783-8827 or service@mtibaths.com

- Before discarding tub crate, check for accessories that may be packaged inside.
- All product measurements are  $\pm 1/2"$ .
- Specifications and configurations are subject to change without notice.
- Measurements herein supersede all others published prior to publication date below.



- Aromatherapy is eliminated for undermount applications
- Air Baths, Pre-Leveled Foam Base or Frame Systems increase overall height by 2-3".

Hydrotherapy Packages	Package Contents	Part #	MSRP
Soaker	Soaking bath - no jets	S87	\$2,300
Stream Bath	6 side vents, 2 end vents, 1-bhp pump	SM87	\$4,250
Microbubbles	1 microbubbles infusion port and pump	M87	\$4,800
Air Massage	20 air jets, heated air blower, pre-leveled foam base	AST87	\$5,200
Air Massage Elite	30 air jets, heated air blower, Chromatherapy LED lighting, Spa Mode, pre-leveled foam base	AE87	\$6,990
Stream Bath with Air Massage	6 side vents, 2 end vents, 1-bhp pump, 20 air jets, heated air blower, pre-leveled foam base	ASTSM87	\$7,000
Stream Bath with Air Massage Elite	6 side vents, 2 end vents, 1-bhp pump, 30 air jets, heated air blower, Chromatherapy LED lighting, Spa Mode, pre-leveled foam base	AESM87	\$8,775
Microbubbles with Air Massage	1 microbubbles infusion port and pump, 20 air jets, heated air blower, pre-leveled foam base	ASTM87	\$7,300
Microbubbles with Air Massage Elite	1 microbubbles infusion port and pump, 30 air jets, heated air blower, Chromatherapy LED lighting, Spa Mode, pre-leveled foam base	AEM87	\$8,300
Standard Whirlpool	6 point-massage jets, 2-bhp pump	P87	\$4,200
Ultra Whirlpool	6 point-massage jets, 12 micro-jets with Tsubo massage, 2 2-bhp pumps, inline heater, Ozone	P87U	\$6,550
Air Massage with Standard Whirlpool	6 point-massage jets, 2-bhp pump, 20 air jets, heated air blower, pre-leveled foam base	AW87	\$7,200
Air Massage with Ultra Whirlpool	6 point-massage jets, 12 micro-jets with Tsubo massage, 2 2-bhp pumps, inline heater, 20 air jets, heated air blower, Ozone, pre-leveled foam base	AU87	\$9,550
Air Massage Elite with Standard Whirlpool	6 point-massage jets, 2-bhp pump, 30 air jets, heated air blower, Chromatherapy LED lighting, Spa Mode, pre-leveled foam base	AEAP87	\$8,750
Air Massage Elite with Ultra Whirlpool	6 point-massage jets, 12 micro-jets with Tsubo massage, 2 2-bhp pumps, inline heater, 30 air jets, heated air blower, Ozone, Chromatherapy LED lighting, Spa Mode, pre-leveled foam base	AEAP87U	\$10,900

RECOMMENDED SENSORY THERAPIES

**Chromatherapy**

(LE) **\$640** underwater lighting  
2 LED lights included

**Audiotherapy**

(STEREOBT) **\$1,175** 2 transducers with bluetooth and amplifier  
(BTREMOTE) **\$490** bluetooth remote

(STEREOH202) **\$1,135** 4 transducers amplifier not included

**Thermotherapy**

(RAD100) **\$1,190** Radiance®  
2 heated zones included  
(HTISOAK) **\$785**



For more information on options and accessories go to Acrylic Tub Options on mtibaths.com

Options
<i>Must be ordered at time of purchase.</i>
<b>Standard Colors</b> White (CWH) Biscuit (CBS) <i>Please call for availability of special colors.</i>
<b>Quick Ship</b> reduces lead time (QSPRI) <b>\$380</b> <i>Please call for availability</i>
<b>Inline Heater</b> maintains water temperature <b>For Soaker or Air Baths (HTISOAK) \$785</b> Includes a recirculating pump <i>Cannot be combined with Microbubbles.</i>
<b>Virtual Spout</b> high-flow integrated tub filler (FPMJ) <b>\$350</b> <i>Must specify stub-out location on order. See page 1 for location options.</i>
<b>Grab Bars</b> from <b>\$300</b> <i>Selections vary. Personalization available.</i>
<b>Textured, Slip-Resistant Bottom</b> (TXTBTM) <b>\$100</b> Compliant with ASTM C 1028-07 friction coefficient.

Accessories
<b>Pillows</b> from <b>\$145</b>
<b>Teak Bath Mat</b> (TKMAT3018) <b>\$390</b> <i>Custom sizes also available. Contact MTI for details and pricing.</i>

Installation Options
<i>Must be ordered at time of purchase.</i>
<b>Pre-Leveled Foam Base</b> (PLFOAM) <b>\$175</b> All airbaths include a pre-leveled foam base.

Hydrotherapy Equipment & Cleaning Systems
<i>Must be ordered at time of purchase.</i>
<b>Inline Heater</b> maintains water temperature <b>For Whirlpools or Stream Bath (HTI) \$545</b> Uses existing pump <i>Cannot be combined with Microbubbles.</i>
<b>Whirlpool Cleaning Systems</b> <b>Fill-Flush (FFSO) \$590</b> <b>Simple Touch (FFE) \$800</b> <i>Must specify stub-out location on order. See page 1 for location options.</i>
<b>Whirlpool Jets</b> Pump upgrade may be advisable for optimal performance when adding jets. <b>Point-Massage Jet</b> Extra Point-Massage Jet (EJ) <b>\$300</b> <b>Micro-Jet</b> from <b>\$345</b> <i>Jet styles and packages vary. Personalization available.</i>
<b>Pump Upgrade</b> - 3-bhp (PUMP3) <b>\$245</b>
<b>Jet Trim Kits</b> <b>For Standard Whirlpool</b> Chrome (TRC) <b>\$235</b> , Brushed Nickel (TRBN) <b>\$595</b> <b>For Ultra Whirlpool</b> Chrome (TRCU) <b>\$320</b> , Brushed Nickel (TRBNU) <b>\$820</b> <i>Other finishes available.</i>
<b>Ozonator</b> (OZONE) <b>\$535</b> <i>Cannot be added to soakers or airbaths without combination hydrotherapy package or HTISOAK.</i>

**Drains & Overflow Kits** *Toe Tap Rectangular Overflow must be ordered at time of purchase*

Cable Driven	Toe Tap	Toe Tap
<b>Drain Finishes</b> – PVC Drain Kit White/Biscuit (WOCDW) <b>\$345</b> Chrome (WOC) <b>\$325</b> Brushed Nickel (WOCDBN) <b>\$395</b> Polished Nickel (WOCDPN) <b>\$515</b> Oil-Rubbed Bronze† (WOCDOR) <b>\$525</b> Polished Brass (WOCDBR) <b>\$505</b> Special Finishes* (WOCDSF) <b>\$835</b> <i>MTI does not offer a brass body cable drain kit.</i>	<b>Round Overflow</b> – PVC Drain Kit Chrome (WOTTC) <b>\$300</b> Brushed Nickel (WOTTBN) <b>\$325</b> Polished Nickel (WOTTPN) <b>\$340</b> Special Finishes* (WOTTSF) <b>\$970</b> <b>Round Overflow</b> – Solid Brass Drain Chrome (WOTTIBC) <b>\$755</b> Brushed Nickel (WOTTBBN) <b>\$755</b> Polished Nickel (WOTTBPN) <b>\$755</b>	<b>Rectangular Overflow</b> – PVC Drain Kit Chrome (WOTRC) <b>\$315</b> Brushed Nickel (WOTRBN) <b>\$325</b> White (WOTRW) <b>\$350</b> <b>Lift &amp; Turn</b> <b>Drain Finishes</b> – PVC Drain Kit Chrome (WOC) <b>\$130</b> White (WOW) <b>\$190</b> Brushed Nickel (WOBN) <b>\$235</b>

Slim-Line Overflow with Toe Tap Drain	Slim-Line Overflow with Toe Tap Drain	Slim-Line Overflow with Toe Tap Drain
<i>Must be ordered at time of purchase.</i> • Low profile overflow is factory installed • Overflow measures 4.5" x 1" • Provides a deeper soak • Not available for commercial applications	<b>PVC Drain</b> Chrome (SLOT) <b>\$390</b> Brushed Nickel (SLOTBN) <b>\$400</b> Polished Nickel (SLOTPN) <b>\$410</b> White (SLOTW) <b>\$400</b>	<b>Solid Brass Drain</b> Chrome (SLOTSBC) <b>\$825</b> Brushed Nickel (SLOTSBBN) <b>\$825</b> Polished Nickel (SLOTSBPN) <b>\$825</b> White (SLOTSBW) <b>\$825</b>

† MTI has selected an oil-rubbed bronze finish that is compatible with Delta and many other manufacturers. To ensure best match, order as a Special Finish and submit a sample.

\* Allow 2-4 weeks lead time for Special Finishes. Send sample for best match.

