

The Blake Integral Faucet Deck

GENERAL SPECIFICATIONS:

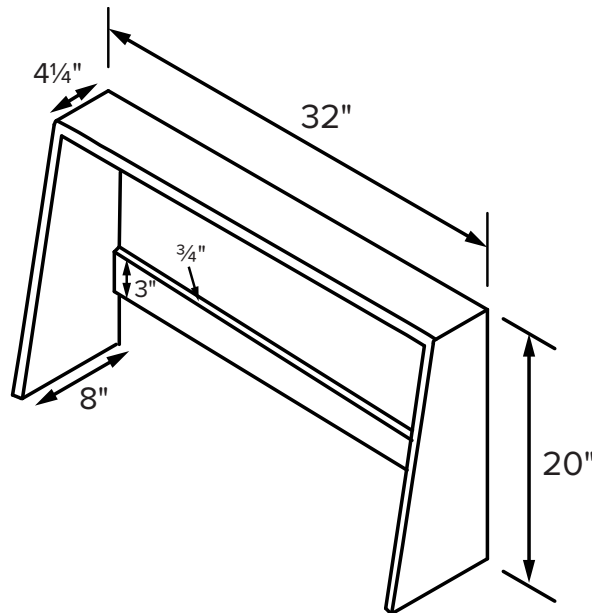
Material - SculptureStone®



Custom-made to complement The Blake, Boutique freestanding tub model #240. Accomodates deck-mountable Roman tub faucetry. Back is straight to mount flush against the wall. Front is angled to form fit against the rear contours of the The Blake.

Size/Description	Finish	Part #	MSRP
Top: 32" w x 4¼" d x 20" h Bottom: 32 w" x 8" d	Matte	SSPTX1MT	\$2,095*
	Gloss	SSPTX1GL	\$2,635*
	Exterior Color in Gloss	SSPTX1COL	\$2,275*
Exterior Colors-Gloss Only Must specify color code: Sapphire Blue (SB), Blue Lagoon, (BL), Terracotta (TC), Onyx (OX), Nightfall (NF), Stratus Gray (TG), Stormgray, (SG), Moonstone (MS) See the colors at: mtibaths.com/about-products/tub-options/colors/			

* Must be ordered with the tub to receive listed price.



Side view

CONSTRUCTION AND FEATURES

- Constructed of MTI's SculptureStone® material.
- Compatible with The Blake, tub model #240. Designed to install behind the tub. Secure to floor and wall using clear silicone, or secure to the wall through the rear brace of the unit. Fasteners not included.
- Accommodates deck-mount Roman tub faucetry, eliminating the need for a freestanding tub filler or nearby wall for installation of wall-mountable valve set.
- Up to 5 holes drilled with no additional charge. Must specify at the time of order.
- Handcrafted in the USA.